



DRYER

ADEE9R ELECTRIC

ADGE9R GAS

REAR CONTROL – TOUCH



MADE IN AMERICA, BUILT TO LAST SINCE 1908



Speed Queen®

PROVEN PERFORMANCE SINCE 1908.



From Australian mines and oil rigs to the US Army, Speed Queen has over a century of experience washing in the harshest environments around the world, earning a reputation for reliability and performance.

Now available the toughest dryer in its class, you can get Speed Queen's uncompromising commercial quality performance at home.

For the perfect pairing match with Speed Queen's high capacity top load washer.



EVERY DAY, EVERY CYCLE, SPEED QUEEN PERFORMS.



Manufactured by the world's number one commercial laundry company, every Speed Queen model is tested to its limits and beyond, and benchmarked against the competition to ensure it outperforms and outlasts the rest. With matching rear controls to the Speed Queen Top Load washer, you can take home a commercial grade machine, designed to last a lifetime of home use.



DURABLE

Built to last up to 25 Years in the home or 10,400 cycles.

TRUSTED

Over 100 years of experience manufacturing laundry equipment.

QUALITY

198 Litre commercial capacity, industrial grade element and motor.

EFFICIENCY

Auto and manual cycle times, completes a full load in less than 60 minutes. Four temperature setting options and auto dry feature ensure the dryer does not over dry items, saving time, energy and money.

CONVENIENT

Easy to use programmable options, countdown timer, interior light, large door & simple lint filter access.

MATCHING 8.5KG TOP LOAD WASHING MACHINE: AWNE92



THE TOUGHEST CHOICE

ELECTRIC MODEL GAS MODEL

**ADEE9R
ADGE9R**

APPEARANCE

FINISH	White
TOUGH GUARD COATED TOP	Yes
LOCATION OF CONTROLS	Rear

MATERIALS

CABINET	White
CYLINDER	White

MEASUREMENTS

DIMENSIONS (H X W X D)	1,092 x 683 x 711 mm
WORK SURFACE HEIGHT	914 mm
SHIPPING WEIGHT (APPROX)	Electric Dryer - 64 kg Gas Dryer - 66 kg
DRUM CAPACITY	198 L
DOOR OPENING	1,913cm ²
DOOR HINGE	Reversible

POWER

ELECTRICAL REQUIREMENTS	240V / 50Hz AC / 1 Ph
BREAKER SIZE	20 Amp (electric) 10 Amp (gas)
FULL LOAD AMPS	Electric Dryer - 18 Amp Gas Dryer - 4.5 Amp
MOTOR SIZE	Electric Dryer - 0.25 kW Gas Dryer - 1/3 HP

OPERATION

DRYING CYCLES	8
TEMPERATURE SETTINGS	4
DRYNESS SELECTIONS	4
EXTRA OPTIONS	Anti-wrinkle & EcoDry
CYCLE INDICATOR LIGHT	Yes
AUTOMATIC DRY CYCLES	Yes

ELECTRIC MODEL GAS MODEL

**ADEE9R
ADGE9R**

ENERGY DATA

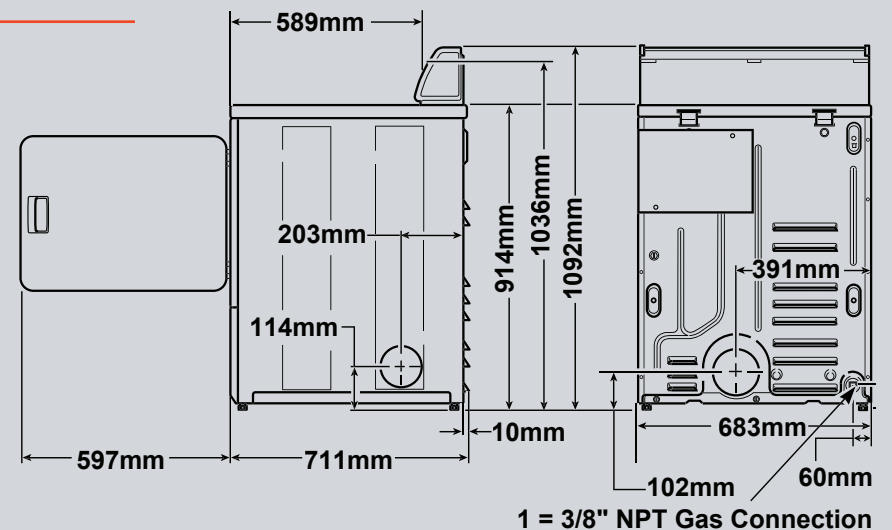
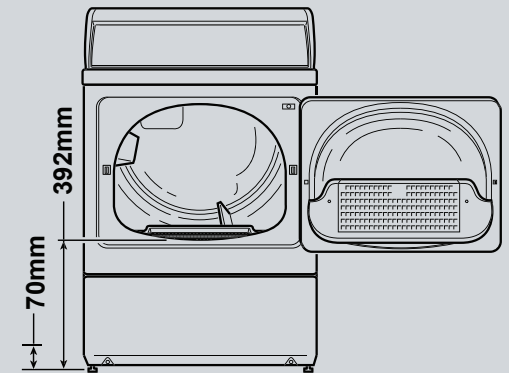
GAS CONSUMPTION (MJ)	21.1 MJ (gas)
ELECTRIC HEATING	4,000 W (electric)

AGENCY APPROVALS

E3	Yes (electric)
AUSTRALIAN GAS APPROVAL	Yes (gas)

FEATURES

MULTIPLE VENT OPTIONS	3 - Right, left and rear (electric) 2 - Right and rear only (gas)
LP CONVERSION KIT	Yes (gas)
QUIET, EFFICIENT BLOWER	Yes
END-OF-CYCLE BUZZER	Yes
AUTOMATIC DRY CYCLES	Yes
SHOE DRYING RACK	Optional: Part N° 512082





DRYER WARRANTY 5 YEARS

ON ALL PARTS
AND LABOUR*

* See Speed Queen Warranty for details.

For the most accurate information, the installation guide should be used for all design and construction purposes. Due to continuous product improvements, design and specifications are subject to change without notice. The quality management system of Alliance Laundry Systems' Ripon facility has been registered to ISO 9001:2000.



FRONT LOAD DRYER ADEE9R/ADGE9R DRYER (TOUCH)

**TO LEARN MORE ABOUT SPEED QUEEN'S
CENTURY OF UNCOMPROMISING
PERFORMANCE AND RELIABILITY,
VISIT [SPEEDQUEEN.COM.AU](https://www.speedqueen.com.au) OR
CALL 1300 WASHER (1300 927 437) TODAY.**



ACT, NSW

F.L. Costello & Co Sydney
Unit 8/2 Holker St, Newington, NSW 2127
Telephone (02) 9748 2155
www.speedqueenlaundry.com.au
Email admin@speedqueenlaundry.com.au

QLD, NT

F L Costello & Co (Qld)
2/18 Gravel Pit Road, Darra, QLD 4076
Telephone (07) 3376 3869
www.speedqueenlaundry.com.au
Email qld@speedqueenlaundry.com.au

VIC, SA, TAS

Speed Queen Equipment Sales
26 Theobald Street, Thornbury, VIC 3071
Telephone (03) 9495 1300
www.speedqueensales.com.au
Email sales@speedqueensales.com.au

WA

F.L. Costello & Co Perth
7/15 Walters Drive, Osborne Park, WA 6017
Telephone (08) 9445 7744
www.speedqueenlaundry.com.au
Email enquiry@speedqueenwa.com.au



SPEEDQUEEN.COM.AU