



# PROVEN PERFORMER

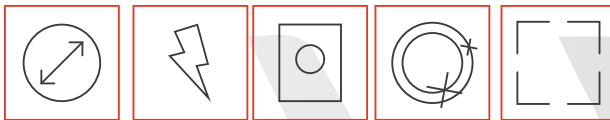
## Compact Commercial Laundry

LWNE52 (top loading washer)

LDEE7R (electric dryer), LDGE7R (gas dryer)

### Top loading washer features

- Extra large capacity stainless steel tub keeps clothes looking their best
- Large lid opening for easy loading
- Advanced suspension system eliminates the possibility of an unbalanced load
- Commercial all metal transmission offers highest quality and durability
- Digital display with countdown
- Multi-cycle controls provide washing options to fit your laundry needs



LARGE DOOR OPENING

LOW ENERGY CONSUMPTION

ROBUST DESIGN

STAINLESS STEEL WASHER DRUM

COMPACT DESIGN

### Controls

#### Top loading washer Electronic Control

The Electronic Control keeps users informed throughout the wash process with cycle status lights and a digital cycle countdown. Users also have the flexibility to control temperature, load type, and soil levels, as well as the option of a pre-wash and/or additional rinse to achieve high levels of efficiency.

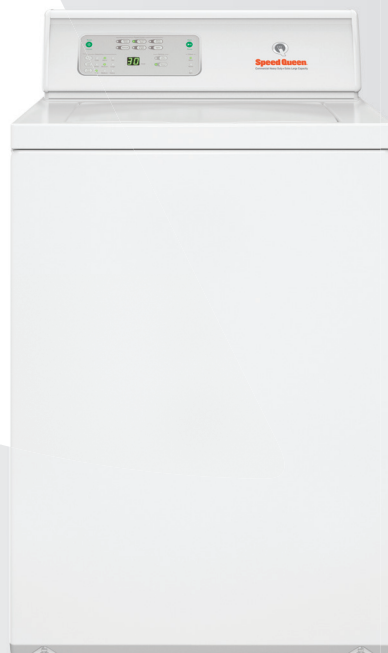
### Single dryer features

- Durable galvanized steel cylinder with an extra-large 198 litres of volume
- Efficient dryer heating with 21 MJ (gas models) and up to 4,000 Watts (electric models)
- Large, easy-to-clean lint compartment
- Reversible door
- 1913.8 sq. cm door opening is the largest in the industry, providing easy loading and unloading
- Optional venting positions
- Moisture sensing system gives accurate temperature control, protecting garments and reducing energy consumption



#### Single dryer Electronic Control

The Electronic Control keeps users informed throughout the drying process with cycle status lights and a digital cycle countdown. Automatic (moisture sensing) cycles come standard.



LWNE52



LDEE7R, LDGE7R

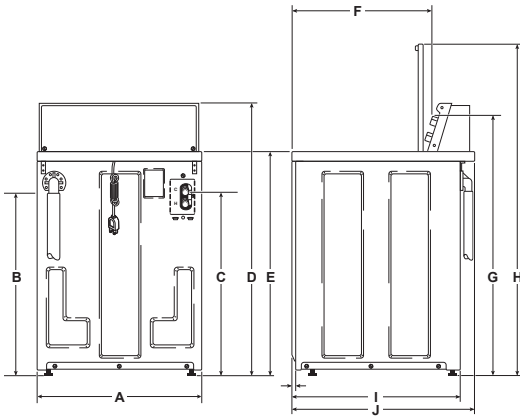
	LWNE52	LDEE7R (Electric) LDGE7R (Gas)
Type	Top Loading Washer	Single Dryer
Control	Electronic	Electronic
Control location	Rear	Rear
<b>Drum</b>		
Capacity kg	8 kg	9 kg
Cylinder volume litres	92.3 Lt	198 Lt
<b>Drum speed</b>		
Spin speed G-Force	150	n/a
Spin speed rpm	710	n/a
<b>Motor</b>		
Motor size kW	0.37	0.25
<b>Cabinet</b>		
Cylinder finish	Stainless steel	White
Colours	White	White
Door type (solid/window)	n/a	Solid
<b>Heating</b>		
Heat sources	n/a	Electric or Natural Gas, LPG optional
Heating element (Electric W)	n/a	4000
<b>Connection</b>		
Gas inlet connection mm	n/a	9.5
Gas consumption MJ/Hr	n/a	21.09 MJ
Exhaust outlet dia. mm	n/a	102
Exhaust airflow litres/sec	n/a	85
Water temperatures	3	n/a
<b>Operation</b>		
Cycles	Heavy Duty, Normal Eco, Perm Press, Delicate, Rinse and Spin, Spin Only	Regular, Perm Press, Delicate, Time Dry, Quick Dry, Fluff Up
Water consumption per cycle litres	92.2	n/a
Water pressure kPa	140/830 kPa	n/a
Cycle indicator lights	Digital display	Digital display
<b>Power</b>		
Electrical requirements (voltage/Hz/Ph)	240/50/1, 6 amp	240/50/1, Electric 20 amp, Gas 4 amp
<b>Transport data</b>		
Net weight kg	82	Electric/Gas 59/61
Shipping weight kg	88	Electric/Gas 64/66
Dimensions H×W×D mm	1092×650×711	1092×683×711
Packing dimensions H×W×D mm	1124×699×762	1156×737×832
<b>Agency approvals</b>		
Available agency approvals	Electrical SAA	Electrical SAA, Gas AGA #4946



## Dimensions

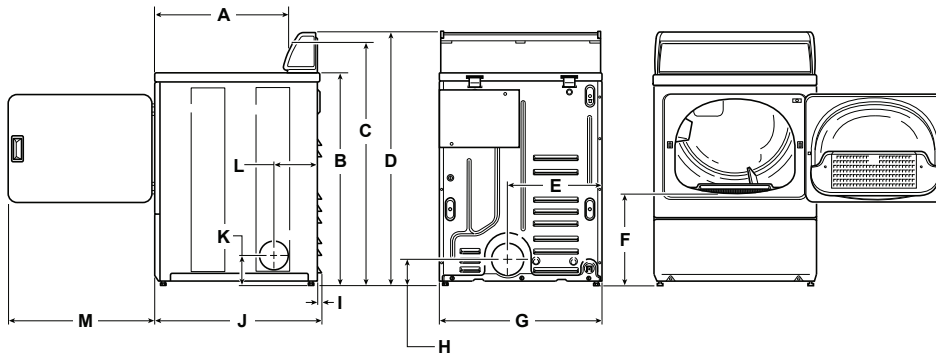
### Top Loading Washer

	A	B	C	D	E	F	G	H	I	J
<b>LWNE52</b>	651	745	730	1092	914	547	1025	1295	660	711



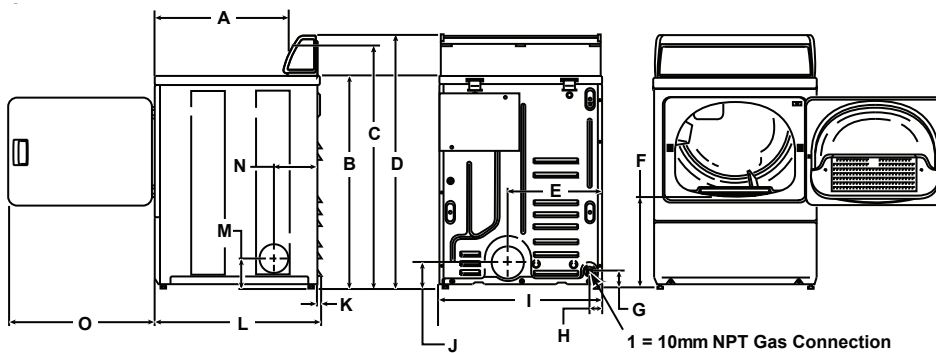
### Electric Dryer

	A	B	C	D	E	F	G	H	I	J	K	L	M
<b>LDDE7R</b>	589	914*	1036*	1092*	391	392*	683	102	10	711	114*	203	597



### Gas Dryer

	A	B	C	D	E	F	G	H	I	J	K	L	M	N	O
<b>LDGE7R</b>	589	914*	1036*	1092*	391	392*	70*	60	683	102*	10	711	114*	203	597



All measurements are in mm. \*With levelling legs turned into base.

NOTE: Exhaust openings are 102 mm metal ducting.





**Speed Queen Equipment Sales Pty. Ltd.**  
**26 Theobald Street, Thornbury, Vic 3071**  
**Ph: (03) 9495 1300**  
**Fax: (03) 9495 1600**  
**W: [www.speedqueensales.com.au](http://www.speedqueensales.com.au)**  
**E: [sales@speedqueensales.com.au](mailto:sales@speedqueensales.com.au)**  
**Servicing Victoria, Tasmania, S.A. & N.T.**