



PROVEN PERFORMER

Compact Commercial Laundry

LFNE5B (front loading washer)

LDEE5B (electric dryer), LDGE5B (gas dryer)

Front loading washer features

- Improved suspension with new out-of-balance logic manages and redistributes unbalanced loads for uninterrupted wash cycles
- High spin speed up to 1200 rpm removes more water from clothes, speeding up drying cycles and lowering dryer energy usage
- A pump drain allows our front load washers to be installed adjacent to or replace top load washers with no special plumbing
- Redesigned supply dispenser features four compartments and automatically dispenses as needed for a complete wash

Single dryer features

- Durable galvanized steel cylinder with an extra-large 198 litres of volume
- Efficient dryer heating with 21 MJ (gas models) and up to 4,000 Watts (electric models)
- Large, easy-to-clean lint compartment
- Reversible door
- 1913.8 sq. cm door opening is the largest in the industry, providing easy loading and unloading
- Quiet, efficient blower system uses a superior airflow of 5100 litres per minute for fast, efficient drying
- Moisture sensing system gives accurate temperature control, protecting garments and reducing energy consumption



STAINLESS STEEL WASHER DRUM



LARGE DOOR OPENING



LOW WATER CONSUMPTION



LOW ENERGY CONSUMPTION



ROBUST DESIGN

Controls

Front loading washer Electronic Control

The Electronic Control keeps users informed throughout the wash process with cycle status lights and a digital cycle countdown. Users also have the flexibility to control temperature, load type, and soil levels, as well as the option of a pre-wash and/or additional rinse to achieve high levels of efficiency.

Single dryer Electronic Control

The Electronic Control keeps users informed throughout the drying process with cycle status lights and a digital cycle countdown. Automatic (moisture sensing) cycles come standard.



LFNE5B



LDEE5B, LDGE5B

	LFNE5B	LDEE5B (Electric) LDGE5B (Gas)
Type	Front Loading Washer	Single Dryer
Control	Electronic	Electronic
Control location	Front	Front
Drum		
Capacity kg	10 kg	10 kg
Cylinder volume litres	96.8 Lt	198 Lt
Drum speed		
Spin speed G-Force	440	N/A
Spin speed rpm	1200	N/A
Motor		
Motor size kW	Variable speed induction 0.67	0.25
Cabinet		
Cylinder finish	Stainless steel	Galvanized
Colours	White	White
Door type (solid/window)	Window	Solid
Heating		
Heat sources	N/A	Electric or Natural Gas, LPG optional
Heating element (Electric W)	N/A	4000
Connection		
Gas inlet connection mm	N/A	9.5mm
Gas consumption MJ/Hr	N/A	21.09 MJ
Exhaust outlet dia. mm	N/A	102mm
Exhaust airflow litres/sec	N/A	85
Water temperatures	3	N/A
Operation		
Cycles	Heavy Duty, Normal Eco, Perm Press, Delicate, Rinse and Spin, Spin Only	Regular, Perm Press, Delicate, Time Dry, Quick Dry, Fluff Up
Water consumption per cycle litres	44.3	N/A
Water pressure kPa	140/830 kPa	N/A
Cycle indicator lights	Digital display	Digital display
Power		
Electrical requirements (voltage/Hz/Ph)	240/50/1, 6 amp	240/50/1, Electric 20 amp, Gas 4 amp
Transport data		
Net weight kg	113	Electric/Gas 66/68
Shipping weight kg	122	Electric/Gas 70/73
Dimensions HxWxD mm	1027x683x704	1027x683x711
Packing dimensions HxWxD mm	1156x737x832	1156x737x832
Agency approvals		
Available agency approvals	Electrical SAA	Electrical SAA, Gas AGA #4946

OH&S

Plynths

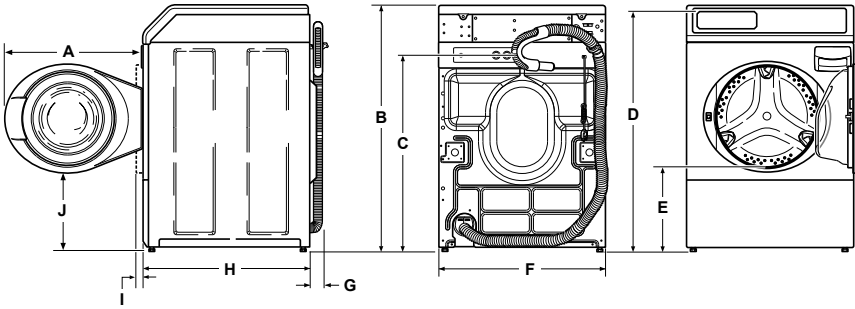
For easy loading, 150mm and 300mm steel bases are available for both Washers and Dryers.



Dimensions

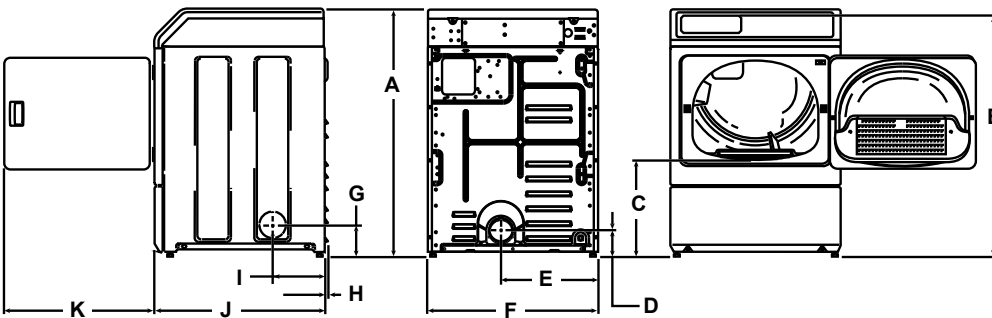
Front Loading Washer

	A	B	C	D	E	F	G	H	I	J
LFNE5B	611	1027	813	1006	371	683	52	704	40	333



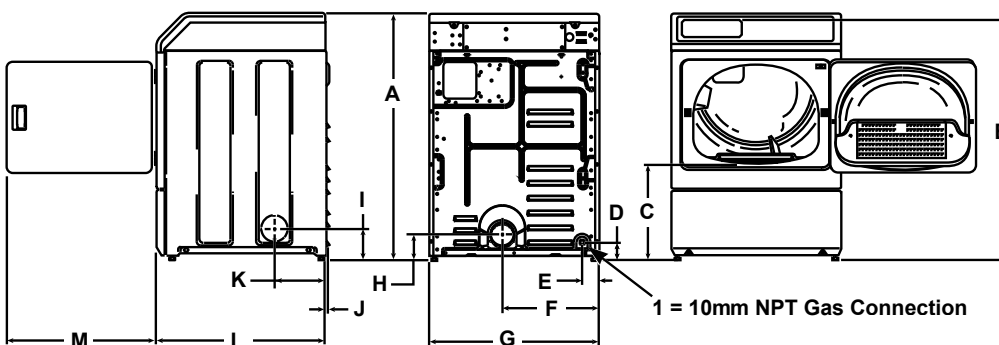
Electric Dryer

	A	B	C	D	E	F	G	H	I	J	K
LDEE5B	1027*	1006*	392*	102*	391	683	114*	10	203	711	597



Gas Dryer

	A	B	C	D	E	F	G	H	I	J	K	L	M
LDGE5B	1027*	1006*	392*	70*	60	391	683	102	114*	10	203	711	597



All measurements are in mm. *With levelling legs turned into base.

NOTE: Exhaust openings are 102 mm metal ducting.

Gas models cannot be vented out left side of cabinet because of burner housing.

IMPORTANT: The dryer should have sufficient clearance around it for needed ventilation and for the ease of installation and servicing. For maximum drying performance, we recommend that more clearance be allowed around the dryer than the





Speed Queen Equipment Sales Pty. Ltd.
26 Theobald Street, Thornbury, Vic 3071
Ph: (03) 9495 1300
Fax: (03) 9495 1600
W: www.speedqueensales.com.au
E: sales@speedqueensales.com.au
Servicing Victoria, Tasmania, S.A. & N.T.