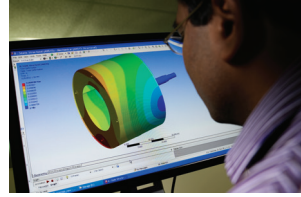


 **Speed Queen®**



tested to outlast



Limited Warranty - Coverage and Length*

COMMERCIAL AUTOMATIC TOPLOAD WASHER

This limited warranty is extended to the first owner or by warranty transfer to a new owner of an Alliance Laundry Systems commercial automatic washer. We will provide a free replacement for any of the following parts which fails as a result of a defect in material or workmanship for the period shown below from the date of original installation:

- **THREE** years (36 months) limited warranty on complete washer
- **FIVE** years (60 months) limited warranty on transmission assembly
- **FIVE** years (60 months) limited warranty on base and cabinet assembly against rust and corrosion from the inside out
- **LIFETIME** limited warranty on the stainless steel wash tub against rust and corrosion

COMMERCIAL DRYER, STACKED DRYER, COMMERCIAL TUMBLER OR DRYING TUMBLER

This limited warranty is extended to the first owner or by warranty transfer to a new owner of an Alliance Laundry Systems commercial dryer, commercial tumbler or drying tumbler. We will provide a free replacement for any of the following parts which fails as a result of a defect in material or workmanship for the period shown below from the date of original installation:

- **THREE** years (36 months) limited warranty on complete drying tumbler
- **FIVE** years (60 months) limited warranty on base and cabinet assembly against rust and corrosion from the inside out (small dryer only)

HORIZON FRONTLOAD WASHERS OR STACK WASHER/DRYER*

This limited warranty is extended to the first owner or by warranty transfer to a new owner of an Alliance Laundry Systems commercial frontload washer, stacked dryer or washer/dryer. We will provide a free replacement for any of the following parts which fails as a result of a defect in material or workmanship for the period shown below from the date of original installation:

- **THREE** year (36 months) limited warranty on complete frontload washer and dryer
- **FIVE** year (60 months) limited warranty on the bearings and bearing seal assembly
- **FIVE** years (60 months) limited warranty on base and cabinet assembly against rust and corrosion from the inside out
- **LIFETIME** limited warranty on the stainless steel wash basket against rust and corrosion

COMMERCIAL WASHER-EXTRACTOR (SOFTMOUNT AND HARDMOUNT)*

This limited warranty is extended to the first owner or by warranty transfer to a new owner of an Alliance Laundry Systems commercial frontload washer-extractor (softmount and hardmount models). We will provide a free replacement for any of the following parts which fails as a result of a defect in material or workmanship for the period shown from the date of original installation:

- **THREE** year (36 months) limited warranty on complete washer-extractor
- **FIVE** year (60 months) limited warranty for On-Premises Laundry applications (hardmount and softmount washer-extractor) on the frame, cylinder, shaft assembly, bearings and bearing seal assembly.
- **TEN** year (120 months) limited, transferable warranty for Vended (hardmount washer-extractor) on the frame, cylinder, shaft assembly, bearings and bearings seal assembly.

Limited Warranty - Not Covered

We will not provide a replacement of any part which fails for reasons other than defective material or workmanship. This includes, but is not limited to, failure as a result of abuse, misuse, improper installation and transportation damage. We will not pay labor and transportation charges incurred in the replacement of any part. We are not responsible for any consequential and incidental damages resulting from any malfunction. Refer to warranty bond for specifications.

LABOUR WARRANTY

Speed Queen Equipment Sales labour warranty of 12 months from date of invoice applies.

HOW TO OBTAIN REPLACEMENT PARTS UNDER THIS LIMITED WARRANTY

Parts which fail within the warranty period must be ordered from Speed Queen Equipment Sales, Ph: (03) 9495 1300, Fax: (03) 9495 1600. Proof of purchase, model number, serial number and defective part are required in order to obtain credit.



PROVEN PERFORMER

Compact Commercial Laundry

LWS52 (top loading washer),

LDE3TR (electric dryer), LDG3TR (gas dryer)

Top loading washer features

- Extra large capacity 8kg stainless steel tub keeps clothes looking their best
- Advanced suspension system reduces the possibility of an unbalanced load
- Commercial quality metal transmission offers highest reliability and durability
- Multi-cycle controls provide washing options to fit your laundry needs
- Large lid opening for easy loading
- Optional extra length inlet hoses

Single dryer features

- Rated as 9kg load capacity with durable galvanized steel cylinder with an extra-large 198 litres of volume
- Efficient dryer heating with 21 MJ (gas models) and up to 4,000 Watts (electric models)
- Large, easy-to-clean lint compartment
- Reversible door
- 1913.8 sq. cm door opening is the largest in the industry, providing easy loading and unloading
- Optional venting positions (refer Installation Guide)
- Optional drying rack, Part No. D512082,



EASY OPERATION



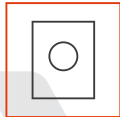
STAINLESS STEEL WASHER DRUM



LARGE DOOR OPENING



LOW ENERGY CONSUMPTION



ROBUST DESIGN

Controls

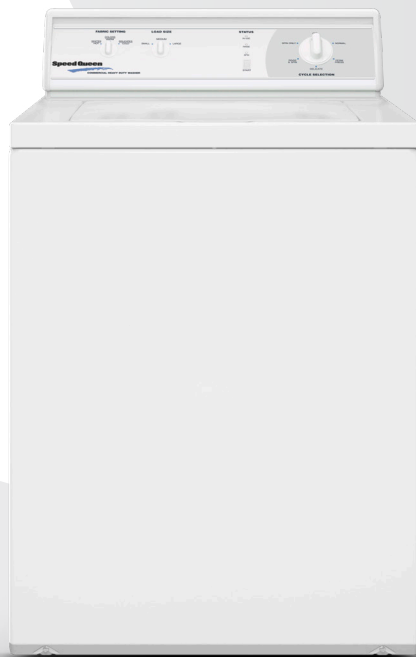
Traditional Top Load-Washer Dial control

The Dial Cycle Controls features a straightforward start switch design and offers users simple program - water level - temperature and load selections .

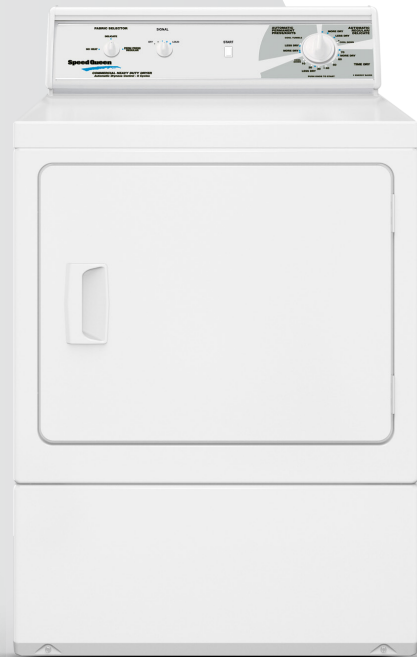
Single Dryer Dial control

The simple push button start and Mech dial control features our straightforward design Offers users simple drying selections (Auto Dryness and timed).

Audible Buzzer, front easy clean filter.



LWS52



LDE3TR, LDG3TR

	LWS52	LDE3TR (Electric) LDG3TR (Gas)
Type	Top Loading Washer	Single Dryer
Control	Dial mech & Push Start	Dial mech & Push Start
Control location	Rear	Rear
Drum		
Capacity kg	8 kg 304 Grade Stainless	9 kg Galvanised
Cylinder volume litres	92.3 Lt	198 Lt
Width mm	650	683
Depth mm	711	711
Height mm	1092	1092
Drum speed		
Spin speed G-Force	150	n/a
Spin speed rpm	710	n/a
Motor		
Motor size kW	0.37	0.25
Cabinet		
Cylinder finish	White	White
Colours	White	White
Door type (solid/window)	n/a	Solid
Heating		
Heat sources	n/a	Electric or Gas, LPG optional
Heating element (Electric W)	n/a	4000
Connection		
Gas inlet connection mm	n/a	9.5
Gas consumption MJ/Hr	n/a	21.09 MJ
Exhaust outlet dia. mm	n/a	102
Exhaust airflow litres/sec	n/a	85
Water temperatures	3	n/a
Operation		
Cycles	Regular, Delicate, Permanent Press, Spin	Regular, Perm Press, Delicate, Time Dry, No Heat
Water consumption per cycle litres	92.2	n/a
Water pressure kPa	140/830 kPa	n/a
Water supply hoses	2 x 1.2mt Standard Inlet Hose	n/a
Drain hose	1 x 1.2mt Factory Fitted - with hose former	n/a
Power		
Electrical requirements (voltage/Hz/Ph) @ amp	240 / 50 /1 @ 6 amp	240/50/1, Electric 20 amp, Gas 4 amp
Power supply cord	10amp standard 1.2mt	(Gas- 10amp @1.2mt)- (Elec - 20amp @ 1.2mt)
Transport data		
Net weight kg	82	Electric/Gas 59/61
Shipping weight kg	88	Electric/Gas 64/66
Dimensions H×W×D mm	1092×650×711	1092×683×711
Packing dimensions H×W×D mm	1124×699×762	1156×737×832
Agency approvals		
Available agency approvals	Electric SAA	Electric SAA, Gas AGA #4946

All measurements are in mm. *With levelling legs turned into base.

It is recommended that you request a full Installation & Use & Care Guide for reference and to maximise your equipments performance and operational life. Failure to correctly install and connect these units may effectively void any manufacturer offered warranties.



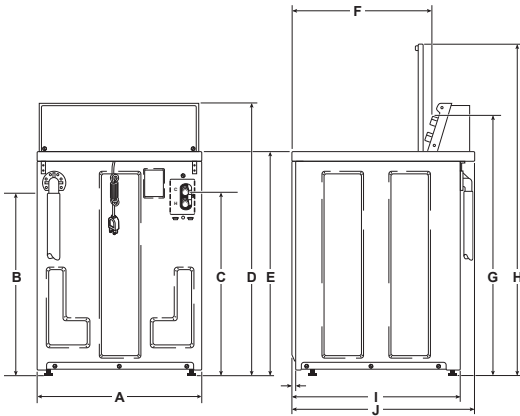
The content of this brochure (including, without limitation, any analysis forming part of it) is general information, for personal use only and should not be relied upon for investment purposes. This brochure provides information based on subjective assumptions and does not provide actual or expected returns, which may in practice be lower than those stated in the brochure. You should obtain independent financial advice prior to making any decision to invest in, or with, Alliance Laundry Systems LLC. To the extent permitted by law, we do not accept any liability (whether in contract, tort, negligence or otherwise and howsoever arising), nor owe any duty of care to you, for any consequences of your acting (or refraining from acting) in reliance on the contents of this brochure. If you enter into a contract with us, we will require that you irrevocably waive your rights to bring a claim against us for acting in reliance on the content of this brochure. E&OE



Dimensions

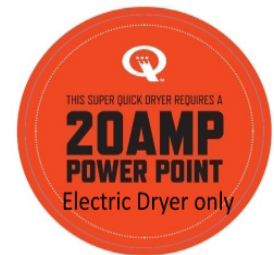
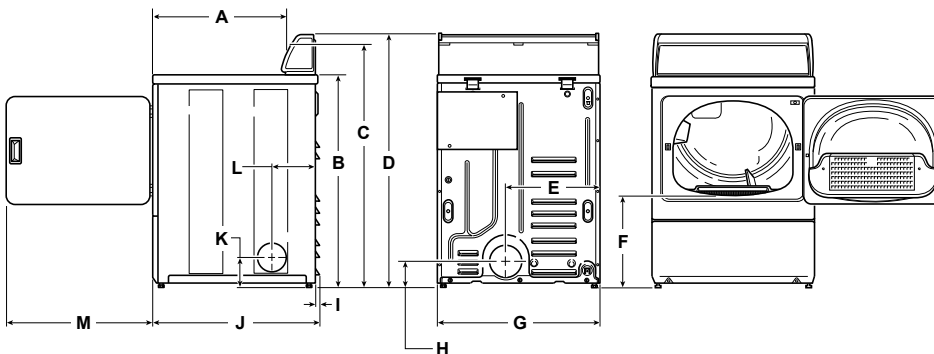
Top Loading Washer

	A	B	C	D	E	F	G	H	I	J
LWS52	651	745	730	1092	914	547	1025	1295	660	711



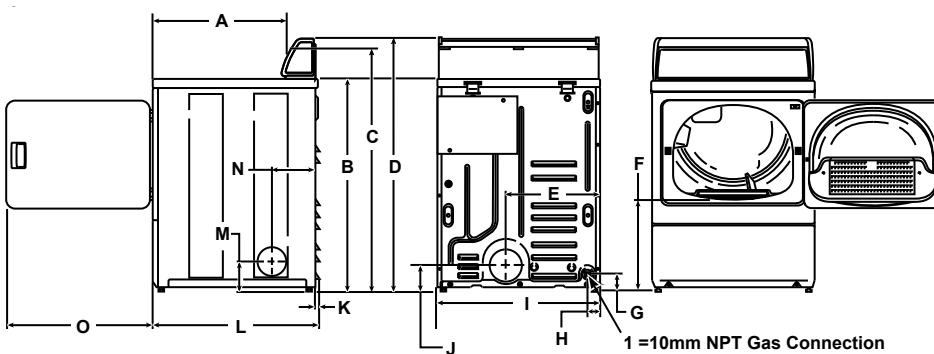
Electric Dryer

	A	B	C	D	E	F	G	H	I	J	K	L	M
LDE3TR	589	914*	1036*	1092*	391	392*	683	102	10	711	114*	203	597



Gas Dryer

	A	B	C	D	E	F	G	H	I	J	K	L	M	N	O
LDG3TR	589	914*	1036*	1092*	391	392*	70*	60	683	102*	10	711	114*	203	597



All measurements are in mm. *With levelling legs turned into base.

NOTE: Exhaust openings are 102 mm metal ducting.





PROVEN PERFORMER

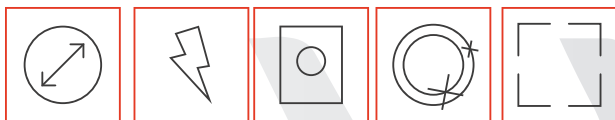
Compact Commercial Laundry

LWNE52 (top loading washer)

LDEE7R (electric dryer), LDGE7R (gas dryer)

Top loading washer features

- Extra large capacity stainless steel tub keeps clothes looking their best
- Large lid opening for easy loading
- Advanced suspension system eliminates the possibility of an unbalanced load
- Commercial all metal transmission offers highest quality and durability
- Digital display with countdown
- Multi-cycle controls provide washing options to fit your laundry needs



LARGE DOOR OPENING

LOW ENERGY CONSUMPTION

ROBUST DESIGN

STAINLESS STEEL WASHER DRUM

COMPACT DESIGN

Controls

Top loading washer Electronic Control

The Electronic Control keeps users informed throughout the wash process with cycle status lights and a digital cycle countdown. Users also have the flexibility to control temperature, load type, and soil levels, as well as the option of a pre-wash and/or additional rinse to achieve high levels of efficiency.

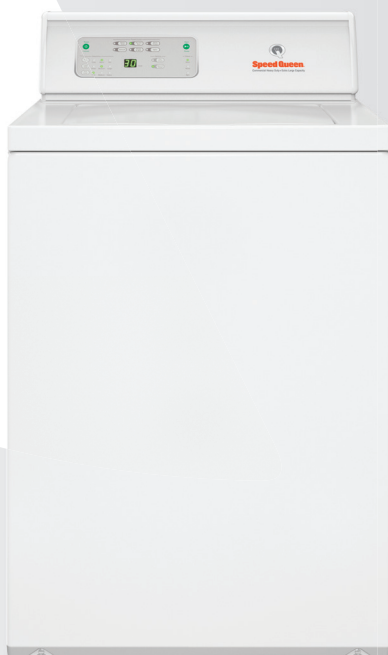
Single dryer features

- Durable galvanized steel cylinder with an extra-large 198 litres of volume
- Efficient dryer heating with 21 MJ (gas models) and up to 4,000 Watts (electric models)
- Large, easy-to-clean lint compartment
- Reversible door
- 1,913.8 cm² door opening is the largest in the industry, providing easy loading and unloading
- Optional venting positions
- Moisture sensing system gives accurate temperature control, protecting garments and reducing energy consumption



Single dryer Electronic Control

The Electronic Control keeps users informed throughout the drying process with cycle status lights and a digital cycle countdown. Automatic (moisture sensing) cycles come standard.



LWNE52



LDEE7R, LDGE7R

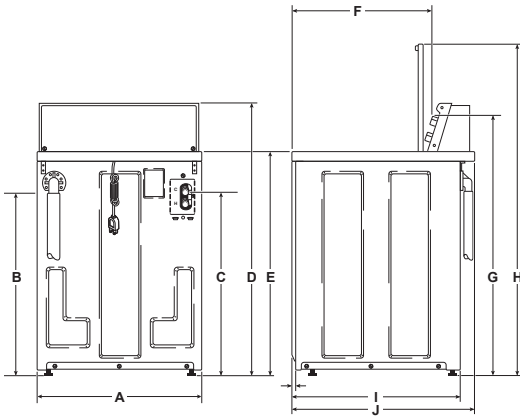
	LWNE52	LDEE7R (Electric) LDGE7R (Gas)
Type	Top Loading Washer	Single Dryer
Control	Electronic	Electronic
Control location	Rear	Rear
Drum		
Capacity kg	8 kg	9 kg
Cylinder volume litres	92.3 Lt	198 Lt
Drum speed		
Spin speed G-Force	150	n/a
Spin speed rpm	710	n/a
Motor		
Motor size kW	0.37	0.25
Cabinet		
Cylinder finish	Stainless steel	White
Colours	White	White
Door type (solid/window)	n/a	Solid
Heating		
Heat sources	n/a	Electric or Natural Gas, LPG optional
Heating element (Electric W)	n/a	4000
Connection		
Gas inlet connection mm	n/a	9.5
Gas consumption MJ/Hr	n/a	21.09 MJ
Exhaust outlet dia. mm	n/a	102
Exhaust airflow litres/sec	n/a	85
Water temperatures	3	n/a
Operation		
Cycles	Heavy Duty, Normal Eco, Perm Press, Delicate, Rinse and Spin, Spin Only	Regular, Perm Press, Delicate, Time Dry, Quick Dry, Fluff Up
Water consumption per cycle litres	92.2	n/a
Water pressure kPa	140/830 kPa	n/a
Cycle indicator lights	Digital display	Digital display
Power		
Electrical requirements (voltage/Hz/Ph)	240/50/1, 6 amp	240/50/1, Electric 20 amp, Gas 4 amp
Transport data		
Net weight kg	82	Electric/Gas 59/61
Shipping weight kg	88	Electric/Gas 64/66
Dimensions H×W×D mm	1092×650×711	1092×683×711
Packing dimensions H×W×D mm	1124×699×762	1156×737×832
Agency approvals		
Available agency approvals	Electrical SAA	Electrical SAA, Gas AGA #4946



Dimensions

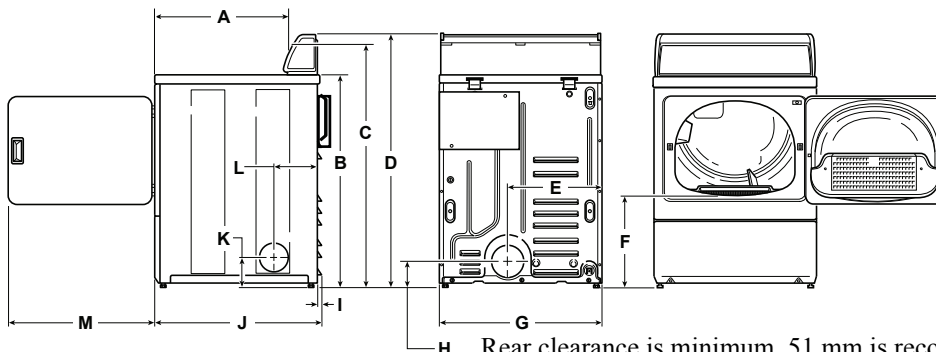
Top Loading Washer

	A	B	C	D	E	F	G	H	I	J
LWNE52	651	745	730	1092	914	547	1025	1295	660	711



Electric Dryer

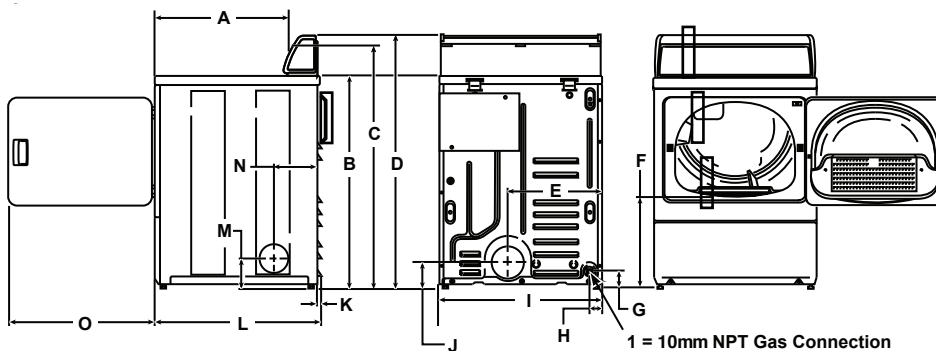
	A	B	C	D	E	F	G	H	I	J	K	L	M
LDDE7R	589	914*	1036*	1092*	391	392*	683	102	10	711	114*	203	597



Rear clearance is minimum. 51 mm is recommended for utility connection. 152 mm is recommended when venting through rear of unit.

Gas Dryer

	A	B	C	D	E	F	G	H	I	J	K	L	M	N	O
LDGE7R	589	914*	1036*	1092*	391	392*	70*	60	683	102*	10	711	114*	203	597



1 = 10mm NPT Gas Connection

All measurements are in mm. *With levelling legs turned into base.
NOTE: Exhaust openings are 102 mm metal ducting.

Rear clearance is minimum. 51 mm is recommended for utility connection. 152 mm is recommended when venting through rear of unit.





PROVEN PERFORMER

Compact Commercial Laundry

LFNE5B (front loading washer)

LDEE5B (electric dryer), LDGE5B (gas dryer)

Front loading washer features

- Improved suspension with new out-of-balance logic manages and redistributes unbalanced loads for uninterrupted wash cycles
- High spin speed up to 1,200 rpm removes more water from clothes, speeding up drying cycles and lowering dryer energy usage
- A pump drain allows our front load washers to be installed adjacent to or replace top load washers with no special plumbing
- Redesigned supply dispenser features four compartments and automatically dispenses as needed for a complete wash

Single dryer features

- Durable galvanized steel cylinder with an extra-large 198 litres of volume
- Efficient dryer heating with 21 MJ (gas models) and up to 4,000 Watts (electric models)
- Large, easy-to-clean lint compartment
- Reversible door
- 1,913.8cm² door opening is the largest in the industry, providing easy loading and unloading
- Quiet, efficient blower system uses a superior airflow of 5,100 litres per minute for fast, efficient drying
- Moisture sensing system gives accurate temperature control, protecting garments and reducing energy consumption



STAINLESS STEEL
WASHER DRUM



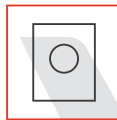
LARGE DOOR
OPENING



LOW WATER
CONSUMPTION



LOW ENERGY
CONSUMPTION



ROBUST
DESIGN

Controls

Front loading washer Electronic Control

The Electronic Control keeps users informed throughout the wash process with cycle status lights and a digital cycle countdown. Users also have the flexibility to control temperature, load type, and soil levels, as well as the option of a pre-wash and/or additional rinse to achieve high levels of efficiency.

Single dryer Electronic Control

The Electronic Control keeps users informed throughout the drying process with cycle status lights and a digital cycle countdown. Automatic (moisture sensing) cycles come standard.



LFNE5B



LDEE5B, LDGE5B

	LFNE5B	LDEE5B (Electric) LDGE5B (Gas)
Type	Front Loading Washer	Single Dryer
Control	Electronic	Electronic
Control location	Front	Front
Drum		
Capacity kg	10 kg	10 kg
Cylinder volume litres	96.8 Lt	198 Lt
Drum speed		
Spin speed G-Force	440	N/A
Spin speed rpm	1200	N/A
Motor		
Motor size kW	Variable speed induction 0.67	0.25
Cabinet		
Cylinder finish	Stainless steel	Galvanized
Colours	White	White
Door type (solid/window)	Window	Solid
Heating		
Heat sources	N/A	Electric or Natural Gas, LPG optional
Heating element (Electric W)	N/A	4000
Connection		
Gas inlet connection mm	N/A	9.5mm
Gas consumption MJ/Hr	N/A	21.09 MJ
Exhaust outlet dia. mm	N/A	102mm
Exhaust airflow litres/sec	N/A	85
Water temperatures	3	N/A
Operation		
Cycles	Heavy Duty, Normal Eco, Perm Press, Delicate, Rinse and Spin, Spin Only	Regular, Perm Press, Delicate, Time Dry, Quick Dry, Fluff Up
Water consumption per cycle litres	44.3	N/A
Water pressure kPa	140/830 kPa	N/A
Cycle indicator lights	Digital display	Digital display
Power		
Electrical requirements (voltage/Hz/Ph)	240/50/1, 6 amp	240/50/1, Electric 20 amp, Gas 4 amp
Transport data		
Net weight kg	113	Electric/Gas 66/68
Shipping weight kg	122	Electric/Gas 70/73
Dimensions H×W×D mm	1027×683×704	1027×683×711
Packing dimensions H×W×D mm	1156×737×832	1156×737×832
Agency approvals		
Available agency approvals	Electrical SAA	Electrical SAA, Gas AGA #4946

OH&S

Plynths

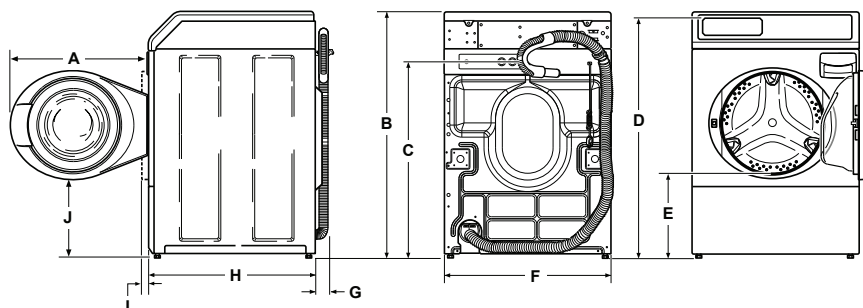
For easy loading, 150mm and 300mm steel bases are available for both Washers and Dryers.



Dimensions

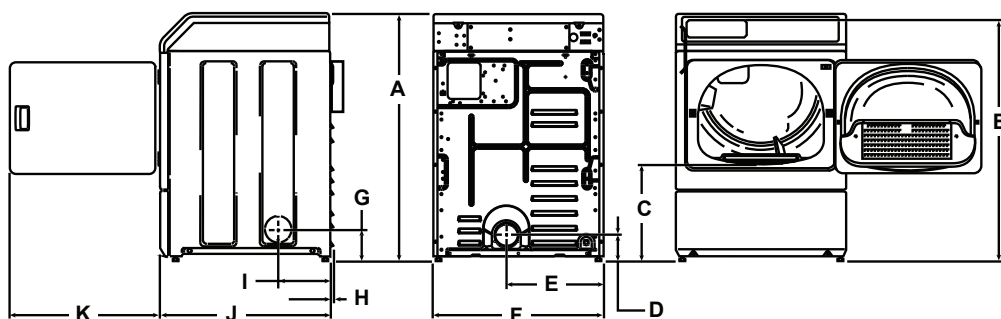
Front Loading Washer

	A	B	C	D	E	F	G	H	I	J
LFNE5B	611	1027	813	1006	371	683	52	704	40	333



Electric Dryer

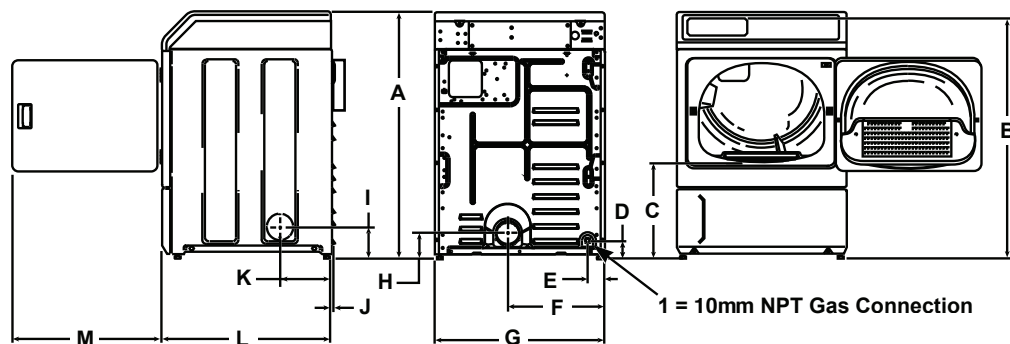
	A	B	C	D	E	F	G	H	I	J	K
LDDE5B	1027*	1006*	392*	102*	391	683	114*	10	203	711	597



Rear clearance is minimum. 51 mm is recommended for utility connection.
152 mm is recommended when venting through rear of unit.

Gas Dryer

	A	B	C	D	E	F	G	H	I	J	K	L	M
LDGE5B	1027*	1006*	392*	70*	60	391	683	102	114*	10	203	711	597



Rear clearance is minimum. 51 mm is recommended for utility connection.
152 mm is recommended when venting through rear of unit.

All measurements are in mm. *With levelling legs turned into base.

NOTE: Exhaust openings are 102 mm metal ducting.

Gas models cannot be vented out left side of cabinet because of burner housing.

IMPORTANT: The dryer should have sufficient clearance around it for needed ventilation and for the ease of installation and servicing.
For maximum drying performance, we recommend that more clearance be allowed around the dryer than the





PROVEN PERFORMER

Compact Commercial Laundry

LTEE5A (stack washer/dryer - electric)

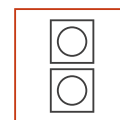
LTGE5A (stack washer/dryer - gas)

Stack washer/dryer features (White cabinet)

- Large 10kg- 304 grade stainless steel wash tub and commercial 304 grade outer bowl. To maintain the legendary Speed Queen Durability and results.
- Improved suspension with new out-of-balance logic manages and redistributes unbalanced loads for uninterrupted wash cycles
- Water use is trimmed to 45 litres per cycle to reduce operating costs
- High spin speed up to 1,200 rpm (Industry leading 440 G-force) removes more water from clothes, speeding up drying cycles and lowering energy usage
- Safety Door Lock with quick access upon cycle completion
- Efficient dryer heating with 21 MJ (gas models) and up to 4,000 Watts (electric models)
- Large, easy-to-clean lint compartment - (Front of unit)
- 1913.8 sq. cm door opening is the largest in the industry, providing easy loading and unloading
- Moisture sensing system gives accurate temperature control, protecting garments and reducing energy consumption

Options:

- Optional venting positions for dryer exhaust
- Optional drying rack, Part No. D512082,
- Optional LPG dryer (Gas unit) conversion
- Optional 90 deg fitting inlet hoses
- Optional longer inlet hoses
- Optional Chemical / Detergent supply board for Auto Dose control - Wash - Rinse (pump not included).



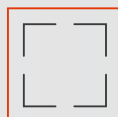
STACK UNIT



LOW ENERGY CONSUMPTION



LARGE DOOR OPENING



COMPACT DESIGN



LOW WATER CONSUMPTION



STAINLESS STEEL WASHER DRUM



Centralised Dual Controls

Stack washer/dryer Electronic Control

The Electronic Control keeps users informed throughout the wash process with cycle status lights and a digital cycle countdown. Users also have the flexibility to control temperature, spin speeds, and soil levels, as well as the option of a pre-wash and/or additional rinse to achieve high levels of efficiency. Automatic (moisture sensing) cycles come standard.



LTEE5A, LTGE5A

	LTEE5A (Electric)		LTGE5A (Gas)	
Type	Stack Washer	Stack Dryer	Stack Washer	Stack Dryer
Control	Electronic	Electronic	Electronic	Electronic
Control location	Front	Front	Front	Front
Drum				
Capacity kg	10 kg	10 kg	10 kg	10 kg
Cylinder volume litres	96.8 Lt	198 Lt	96.8 Lt	198 Lt
Drum speed				
Spin speed G-Force	440	n/a	440	n/a
Spin speed rpm	1200	n/a	1200	n/a
Motor				
Motor size kW	Variable speed induction 0.67	0.25	Variable speed induction 0.67	0.25
Cabinet				
Cylinder finish	304 Grade Stainless steel	Galvinised drum	304 Grade Stainless steel	Galvinised drum
Colours	White	White	White	White
Door type (solid/window)	Window	Window	Window	Window
Heating				
Heat sources	n/a	Electric	n/a	Gas
Heating element (Electric W)	n/a	4000	n/a	n/a
Connection				
Gas inlet connection mm	n/a	n/a	n/a	9.5
Gas consumption MJ/Hr	n/a	n/a	n/a	21.09 MJ
Exhaust outlet dia. mm	n/a	102	n/a	102
Exhaust airflow litres/sec	n/a	85	n/a	85
Water temperatures	3	n/a	3	n/a
Operation				
Cycles	Heavy Duty(Default) 45min adjustable, Normal Eco, Perm Press, Delicate, Rinse and Spin, Spin Only	Dryer: Regular, Perm Press, Delicate, Time Dry, Quick Dry, Fluff Up	Heavy Duty(Default) 45min adjustable, Normal Eco, Perm Press, Delicate, Rinse and Spin, Spin Only	Dryer: Regular, Perm Press, Delicate, Time Dry, Quick Dry, Fluff Up
Water consumption per cycle litres	44.3	n/a	44.3	n/a
Water pressure kPa	140/830 kPa	n/a	140/830 kPa	n/a
Cycle indicator lights	Digital display	Digital display	Digital display	Digital display
Power				
Electrical requirements (voltage/Hz/Ph)	240/50/1, 6 amp	240/50/1, 20 amp	240/50/1, 6 amp	240/50/1 4 amp
Transport data				
Net weight / Shipping weight kg	177 / 193 (combined) -		177 / 193 (combined)	
Dimensions H×W×D mm	1986×683×704		1986×683×704	
Packing dimensions H×W×D mm	2032×737×832		2032×737×832	
Agency approvals				
Available agency approvals	Electric SAA		Electric SAA, Gas AGA #4946	

All measurements are in mm. *With levelling legs turned into base.

It is recommended that you request a full Installation & Use & Care Guide for reference and to maximise your equipments performance and operational life. Failure to correctly install and connect these units may effectively void any manufacturer offered warranties.

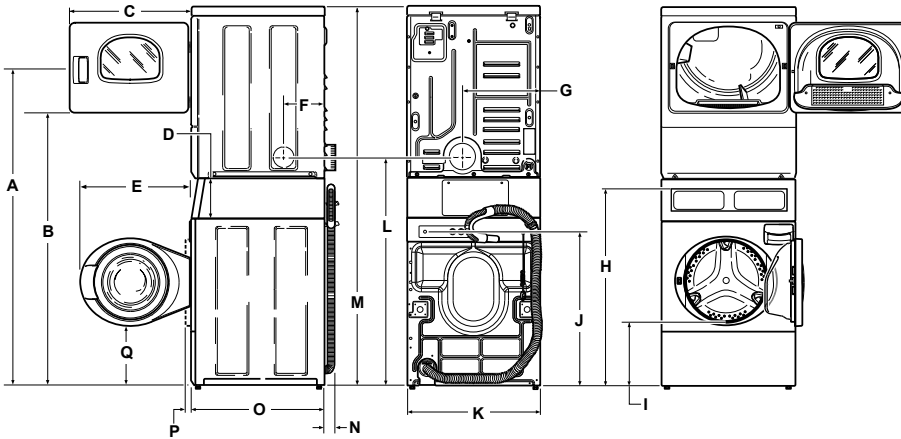
The content of this brochure (including, without limitation, any analysis forming part of it) is general information, for personal use only and should not be relied upon for investment purposes. This brochure provides information based on subjective assumptions and does not provide actual or expected returns, which may in practice be lower than those stated in the brochure. You should obtain independent financial advice prior to making any decision to invest in, or with, Alliance Laundry Systems LLC. To the extent permitted by law, we do not accept any liability (whether in contract, tort, negligence or otherwise and howsoever arising), nor owe any duty of care to you, for any consequences of your acting (or refraining from acting) in reliance on the contents of this brochure. If you enter into a contract with us, we will require that you irrevocably waive your rights to bring a claim against us for acting in reliance on the content of this brochure.E&OE



Dimensions

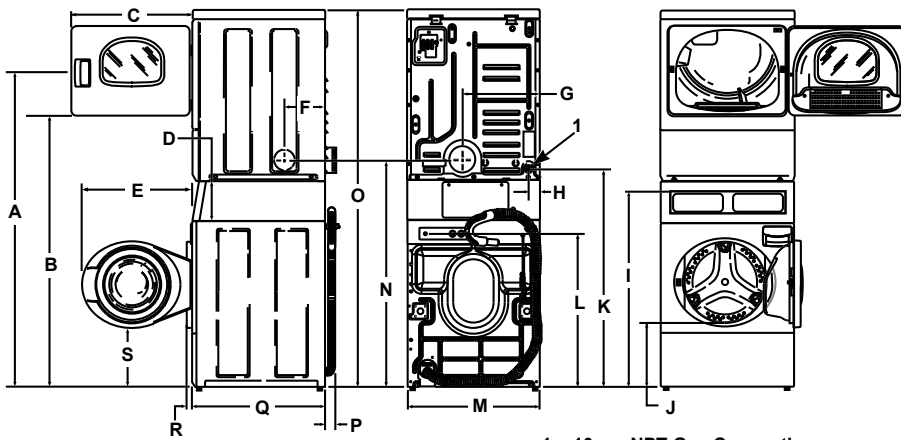
Stack Washer/Dryer – electric

	A	B	C	D	E	F	G	H	I	J	K	L	M	N	O	P	Q
LTEE5A	1678*	1447*	597	213	610	203	391	938*	368*	813*	683	1184*	1986*	52	704	38	333*



Stack Washer/Dryer – gas

	A	B	C	D	E	F	G	H	I	J	K	L	M	N	O	P	Q	R
LTGE5A	1678*	1447*	597	213	610	203	391	59	938*	368*	1140*	813*	683	1184*	1986*	52	704	38



1 = 10mm NPT Gas Connection

All measurements are in mm. *With levelling legs turned into base.

NOTE: Exhaust openings are 102 mm metal ducting.



Options and Accessories:

Hose Upgrades:

- In order to customise the installation of the Speed Queen Washer. We make available 3 variations of the Factory supplied inlet hose.

- Part# 204108 - 3mt standard metric fitting (Hot or Cold)

Recommended for LFNE5B

- Part# 2.5-MET-MET-RA - 2.5mt 90deg metric fitting (Hot or Cold)

2 units required per machine

- Part# 200125HRA - 1.4mt 90deg metric fitting (Hot)

- Part# 200125CRA - 1.4mt 90deg metric fitting (Cold)

- Part# 204108 - 1.2mt Factory Supplied Standard metric fitting (Hot or Cold)

This is supplied with the 4 rubber washers and 2 filters in the installation kit with each Washing machine



Plinth Upgrade:

- In order to customise the installation of the Speed Queen Washer. We make available 2 variations of the Factory supplied solid steel (Black) Base .

Our fabricated **Base H12** or **Base H6** Has specialised bolt positions in the front, that suit the LFNE5B & LDEE5B

Ensuring a stable position for machine operation. And optimal height for the user.





Speed Queen Equipment Sales Pty. Ltd.
26 Theobald Street, Thornbury, Vic 3071
Ph: (03) 9495 1300
Fax: (03) 9495 1600
W: www.speedqueensales.com.au
E: sales@speedqueensales.com.au
Servicing Victoria, Tasmania, S.A. & N.T.