



PROVEN PERFORMER

Vended Stack Tumble Dryers

SAT30, SAT45 (Gas Heat Standard)

Features

- Double capacity in same floor space
- Extra large cylinder capacity
- Large door opening for easy loading and unloading
 - extra strong hing and reversible door
- Galvanized drum - oval drum holes preventing damage from standard drywall screws
- Unique suspension system
 - at the rear: bearings
 - at the front: rubber rollers with bearings
- Large lint filter - easy removal of lint, efficient drying
- Axial airflow
 - drum perforations only at the front and back
 - maximum airflow, less energy consumption and short drying times
- Average of 40% lower energy input compared with Speed Queen classic tumblers
- Overall utility savings per year are around 5%
- Quantum™ Gold Controls
 - easy to operate
 - flexibility of 5 programmable cycles
- Single slot electronic multi denomination coin drop for versatility and accuracy
- Digital display and countdown

Options

- Electric and Steam heat
- LPG Conversion
- Stainless steel front and tumbler cylinder
- Quantum Network Control Card (NK301)
- ECO Energy saver models
- Credit Card Activation



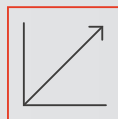
Supporting Smart Card, Tap & Go, Mag Stripe



LOW ENERGY CONSUMPTION



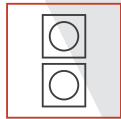
LARGE DOOR OPENING



HIGH OUTPUT



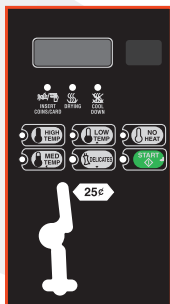
EASY OPERATION



STACK UNIT



NETWORK CAPABLE



Quantum™ Gold Control

Quantum™ Gold Controls

In addition to its network capabilities and remote off-site management features, Quantum™ Gold offers additional owner and customer benefits such as PC programming and machine audit capabilities, as well as time-of-day pricing, a "lucky cycle" for loyal customers and the ability to interface with the store owner's payment systems. Cycle modifier keys create additional profit opportunities for store owners.



	SAT30	SAT45
Drum		
Capacity 20:1 kg	13.6kg	21.5kg
Volume l	301Lt	421Lt
Cylinder diameter mm	762mm	838mm
Programmer		
Type of control	Quantum Gold	Quantum Gold
Cabinet		
Colour	White, option stainless steel	White, option stainless steel
Drum	Galvanized, option stainless steel	Galvanized, option stainless steel
Dryer door handle	Black plastic	Black plastic
Heating		
Gas	77MJ/hr per pocket (154MJ/hr both pockets)	91.8MJ/hr per pocket (183.6MJ/hr both pockets)
Electric	12 kW	n/a
Connection		
Gas and Steam	Non Rev Amps (both pockets)	Non Rev Amps (both pockets)
240V/50HZ/1 2W+G	9.0 total	10.8 total
Full Load Amps	9.0	10.8
Make Up Air Supply	1418cm ²	1856cm ²
Air Outlet diameter mm	200mm	250mm
Gas Inlet (NPT)	12mm	12mm
Operation		
Drying Cycles	5	5
Motor Horsepower (Fan kW/Drive kW)	0.19 / 0.19	0.37 / 0.37
Decibel rating	66dBA	67dBA
Transport Data		
Gross Weight	264kg	326kg
Net Weight	247kg	305kg
Dimensions HxWxD	1937 x 800 x 1086mm	2059x876x1235mm
Packaging dimensions HxWxD	2057 x 825 x 1194mm	2159 x 902 x 1372mm
Volume m ³	2.0m ³	2.7m ³
Agency Approvals		
Australian gas approval	#7430	#7430
CE approval	Yes	Yes



White Panels



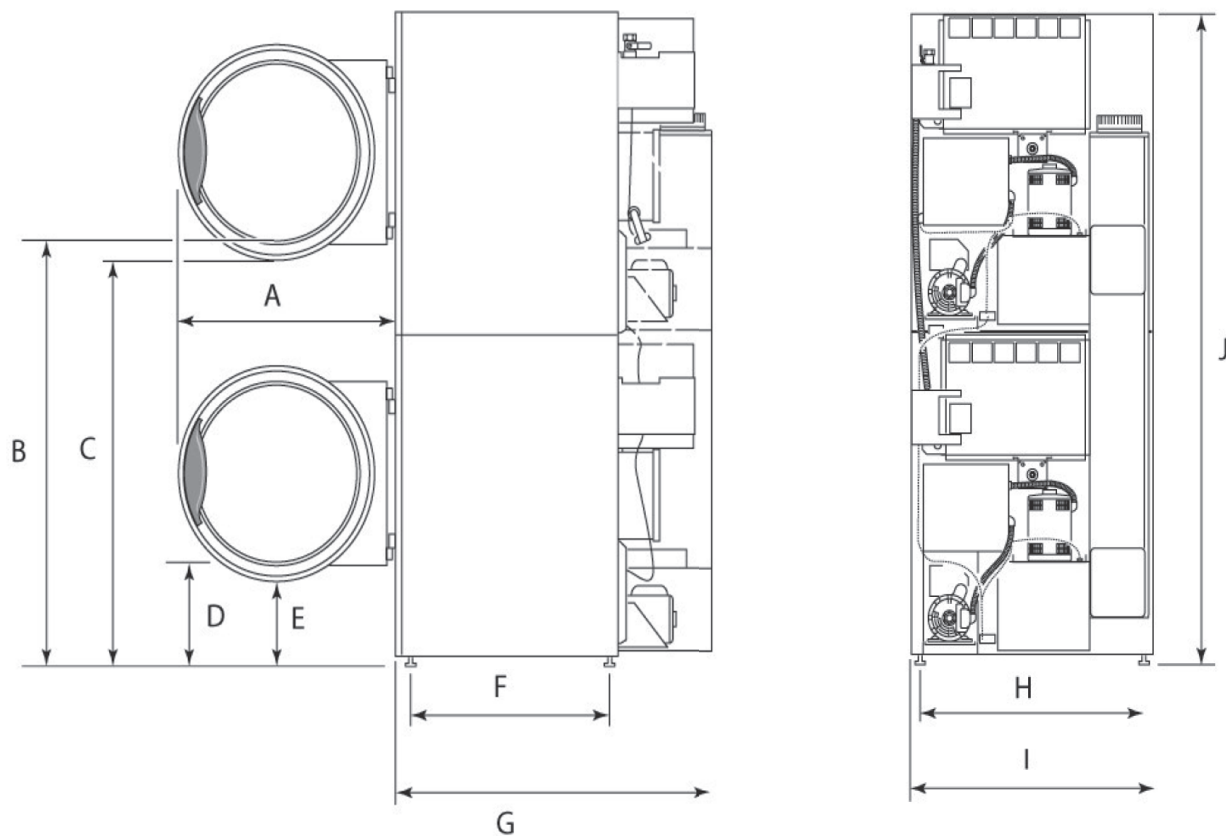
Stainless Steel Front



Dimensions

	A	B	C	D	E	F	G	H	I	J
SAT30	711	1245	1226	290	272	636	1086	695	800	1937
SAT45	810	1280	1252	262	236	746	1235	775	876	2059
							depth		width	height

All measurements are in mm.





Speed Queen Equipment Sales Pty. Ltd.
26 Theobald Street, Thornbury, Vic 3071
Ph: (03) 9495 1300
Fax: (03) 9495 1600
W: www.speedqueensales.com.au
E: sales@speedqueensales.com.au
Servicing Victoria, Tasmania, S.A. & N.T.