



Speed Queen Equipment Sales Pty. Ltd.
 26 Theobald Street, Thornbury, Vic 3071
 Ph: (03) 9495 1300
 Fax: (03) 9495 1600
 W: www.speedqueensales.com.au
 E: sales@speedqueensales.com.au
 Servicing Victoria, Tasmania, S.A. & N.T.



PROVEN PERFORMER

Vended Hardmount Washer-Extractors
**SCN020L, SCN030L, SCN040L, SCN060L,
 SCN080L, SCN100L**

Features

- Rigid mounted, normal spin, 200G factor
- Stainless steel top and front panel
- Stainless steel drum and tub
- High capacity water inlets
- Large drain valve
- Large door opening for easy loading & unloading
- Industry-leading flexible water level settings
- Patented Fill and Drain leak detection saves water
- Lighter, computer-optimized frame
- Designed to reduce sound and vibration levels
- Single slot electronic multi denomination coin drop for versatility and accuracy
- Digital display and countdown

- Quantum™ Gold Control
 - easy to operate, easy to program
 - flexibility of 30 programmable cycles

Options

- Stainless steel side panels
- Chrome door
- Steam heating version
- Electrical heating version
- 200mm steel plinth base
- Credit card activation



ROBUST DESIGN



LARGE DRAIN VALVE



LARGE DOOR OPENING



LOW WATER CONSUMPTION



Supporting Smart Card, Tap & Go, Mag Stripe



Quantum™ Gold Control



Controls

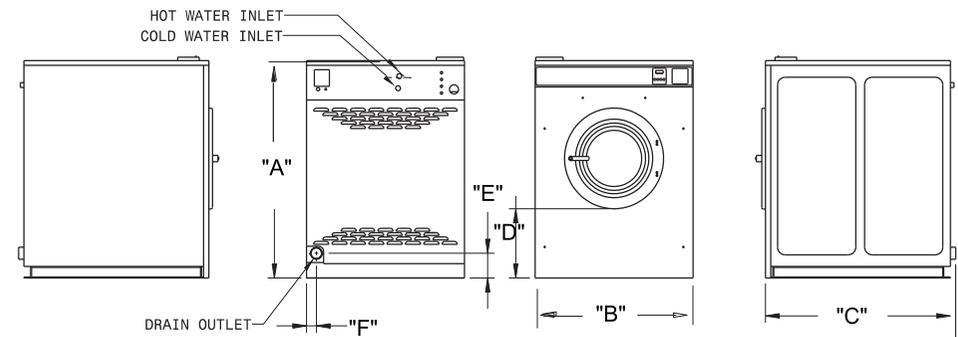
Quantum™ Gold

In addition to its network capabilities and remote off-site management features, Quantum™ Gold offers additional owner and customer benefits such as PC programming and machine audit capabilities, as well as time-of-day pricing, a "lucky cycle" for loyal customers and the ability to interface with the store owner's payment systems. Cycle modifier keys create additional profit opportunities for store owners.

	SCN020L	SCN030L	SCN040L	SCN060L	SCN080L	SCN100L
Innerdrum						
Capacity 9:1 kg	9kg	14kg	18kg	27kg	36kg	45kg
Volume litres	79.3Lt	118.9Lt	178.4Lt	254.9Lt	365.3Lt	434Lt
Diameter mm	533	610	667	762	914	916
Motor						
Frequency controlled	Yes	Yes	Yes	Yes	Yes	Yes
Drum speed						
Wash rpm	51	48	46	43	39	39
Spin speed rpm	301	282	269	252	230	230
Highest spin speed rpm	819	766	733	686	626	568
(Max) G-factor	200	200	200	200	200	165
Programmer						
Type of control	Gold / 9 cycle	Gold / 9 cycle	Gold / 9 cycle	Gold / 9 cycle	Gold / 9 cycle	Gold / 9 cycle
Cabinet						
Cabinet	Stainless steel front panel	Stainless steel front panel	Stainless steel front panel	Stainless steel front panel	Stainless steel front panel	Stainless steel front panel
Heating						
Electric heating kW ***	7.8	7.8	15.5	15.5	20.5	20.5
Steam kPa or Steam high pressure kPa	200-540kPa	200-540kPa	200-540kPa	200-540kPa	200-540kPa	200-540kPa
Hot water C°	Max 90°C	Max 90°C	Max 90°C	Max 90°C	Max 90°C	Max 90°C
Sound pressure level dB(A)	58 / 61	58 / 66	58 / 66	58 / 66	58 / 76	58 / 73
Rec. Water pressure kPa	140-570kPa	140-570kPa	140-570kPa	140-570kPa	140-570kPa	140-570kPa
Connection						
Water inlet BSP	19mm	19mm	19mm	19mm	19mm	19mm
Steam inlet NPT ***	12mm	12mm	12mm	12mm	12mm	12mm
Drain mm	51	51	80	80	80	80
Flow amount with drain valve l/min	95	114	151	189	208	208
Steam pressure kPa	200-540kPa	200-540kPa	200-540kPa	200-540kPa	200-540kPa	200-540kPa
Power						
Electrical requirements (without heating element) V Hz	1x240V 50 Hz	1x240V 50 Hz	1x240V 50 Hz	1x240V 50 Hz	1x240V 50 Hz	1x240V 50 Hz
Full load amps (without heating element) A	4 amps	6 amps	7 amps	10 amps	15 amps	16 amps
Breaker (without heating element) A	15 amps	15 amps	15 amps	15 amps	20 amps	20amps
Electrical requirements (with heating element) V Hz ***	3x415V 50 Hz 3+N	3x415V 50 Hz 3+N	3x415V 50 Hz 3+N	3x415V 50 Hz 3+N	3x415V 50 Hz 3+N	3x415V 50 Hz 3+N
Transport data						
Gross weight kg	166	225	268	338	572	594
Net weight kg	152	209	249	315	549	572
Dimensions HxWxD mm	1092x660x784	1142x737x896	1199x778x1073	1267x865x1135	1426x1054x1234	1426x1054x1336
Packaging dimension HxWxD mm	1256x711x859	1303x800x973	1361x826x1105	1430x953x1191	1488x1118x1384	1488x1118x1486
Shipping volume m³	0.767	1.014	1.242	1.623	2.302	2.472
*** refers to optional components						

Dimensions ***

MODEL	SCN020L	SCN030L	SCN040L	SCN060L	SCN080L	SCN100L
A	1092mm	1143mm	1199mm	1267mm	1427mm	1427mm
B	660mm	737mm	778mm	865mm	1054mm	1054mm
C	784mm	896mm	1073mm	1135mm	1234mm	1336mm
D	365mm	356mm	370mm	379mm	455mm	455mm
E	119mm	105mm	115mm	124mm	163mm	163mm
F	198mm	198mm	236mm	224mm	66mm	66mm



*** Please refer to manufacturer for full installation dimensions and utility supply details - E&OE

