



# PROVEN PERFORMER

## Vended Laundry

SFNNXA (front loading washer - White) SFNNXA-SS (Stainless Steel)

### Front loading washer features

- Improved suspension with new out-of-balance logic
- High spin speed up to 1,200 rpm removes more water from clothes, speeding up drying cycles and lowering dryer energy usage
- Heavy-duty construction with stainless steel wash bowls
- A pump drain allows our front load washers to be installed adjacent to or replace top load washers with no special plumbing
- Redesigned supply dispenser features four compartments and automatically dispenses as needed for a complete wash
- Single slot electronic multi denomination coin drop for versatility and accuracy
- Digital display and countdown

### Options

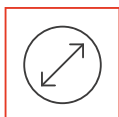
- Plinths for easy loading, 150mm high and 300mm high steel bases are available
- Credit Card Activation



Supporting Smart Card, Tap & Go, Mag Stripe



STAINLESS STEEL WASHER DRUM



LARGE DOOR OPENING



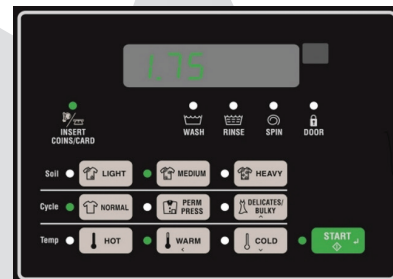
LOW WATER CONSUMPTION



LOW ENERGY CONSUMPTION



COMPACT DESIGN



SFNNXA



SFNNXA-SS (Stainless steel)

### Controls

#### Quantum™ Gold

In addition to its network capabilities and remote off-site management features, Quantum™ Gold offers additional owner and customer benefits such as PC programming and machine audit capabilities, as well as time-of-day pricing, a “lucky cycle” for loyal customers and the ability to interface with the store owner’s payment systems.

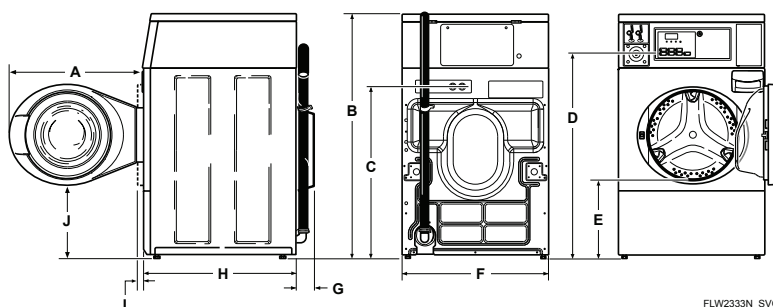
Cycle modifier keys create additional profit opportunities for store owners.

<b>SFNNXA SFNNXA (Stainless steel)</b>	
Type	Front Loading Washer
Control	Quantum Electronic
Control location	Front
<b>Drum</b>	
Capacity kg	9.5 kg
Cylinder volume litres	96.8 Lt
Width mm	683
Depth mm	704
Height mm	1126
<b>Drum speed</b>	
Spin speed G-Force	440
Spin speed rpm	1200
<b>Motor</b>	
Motor size kW	Variable speed induction 0.67
<b>Cabinet</b>	
Cylinder finish	Stainless steel
Colours	White or Stainless steel
Door type (solid/window)	Window
Water temperatures	3
<b>Operation</b>	
Cycles	Up to 30 programmable
Water consumption per cycle litres	44.3
Water pressure kPa	140/830 kPa
Cycle indicator lights	Digital display
<b>Power</b>	
Electrical requirements (voltage/Hz/Ph)	240/50/1, 6 amp
<b>Transport data</b>	
Net weight kg	122
Shipping weight kg	132
Dimensions H×W×D mm	1126×683×704
Packing dimensions H×W×D mm	1156×737×832
<b>Agency approvals</b>	
Available agency approvals	SAA Electrical

## Dimensions

### Front Loading Washer

	A	B	C	D	E	F	G	H	I	J
<b>SFNNXA</b>	610	1126	813	938	371	683	52	704	40	333



FLW2333N\_SVG

All measurements are in mm. \*With levelling legs turned into base.





**Speed Queen Equipment Sales Pty. Ltd.**  
**26 Theobald Street, Thornbury, Vic 3071**  
**Ph: (03) 9495 1300**  
**Fax: (03) 9495 1600**  
**W: [www.speedqueensales.com.au](http://www.speedqueensales.com.au)**  
**E: [sales@speedqueensales.com.au](mailto:sales@speedqueensales.com.au)**  
**Servicing Victoria, Tasmania, S.A. & N.T.**