



PROVEN PERFORMER

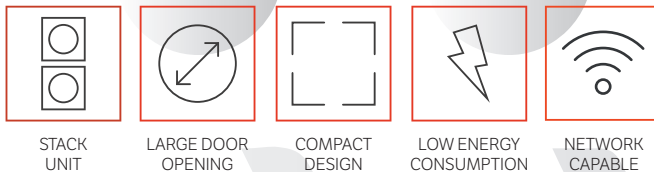
Vended Laundry

SSENXA (stack dryer - electric heat)

SSGNXA (stack dryer - gas heat)

Dryer features

- Durable galvanized steel cylinder with an extra-large 198 litres of volume
- Efficient dryer heating with 27MJ (gas models) and up to 4,000 Watts (electric models)
- Extended tumble helps eliminate wrinkling by tumbling for two minutes at 20 minute intervals if the dryer door isn't opened decreasing fire risk
- Quiet, efficient blower system uses a superior airflow of 5100 litres per minute for fast efficient drying
- 1,913.8cm² door opening is the largest in the industry, providing easy loading and unloading for customers
- Single slot electronic multi denomination coin drop for versatility and accuracy
- Digital display and countdown
- Reversible doors



Optional

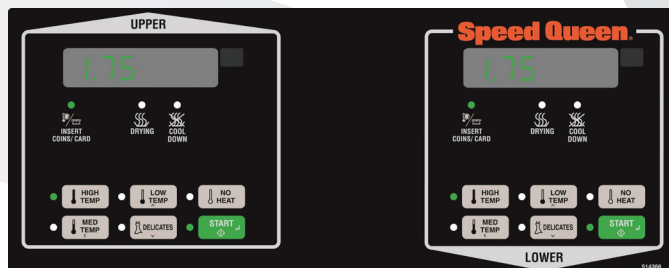
- Cred Card Activation



Controls

Quantum™ Gold

In addition to its network capabilities and remote off-site management features, Quantum™ Gold offers additional owner and customer benefits such as PC programming and machine audit capabilities, as well as time-of-day pricing, a “lucky cycle” for loyal customers and the ability to interface with the store owner’s payment systems. Cycle modifier keys create additional profit opportunities for store owners.



SSENXA, SSGNXA

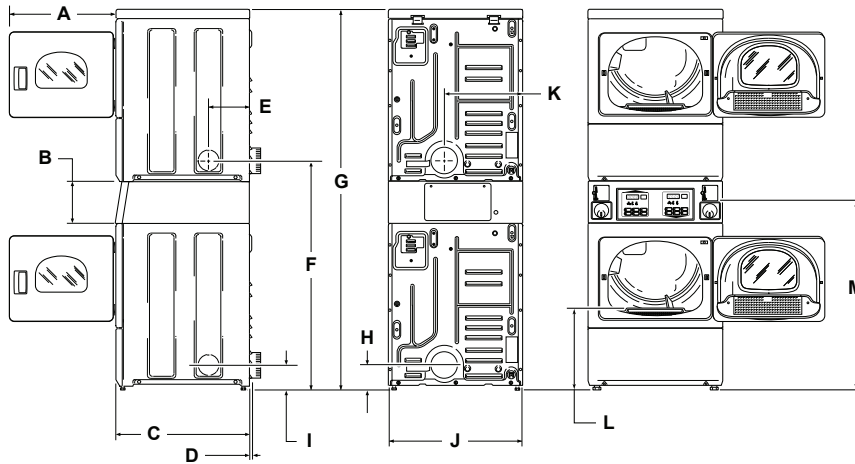
	SSENXA (Electric heat)	SSGNXA (Gas heat)
Type	Stack Dryer/Dryer	Stack Dryer/Dryer
Control	Quantum Electronic	Quantum Electronic
Control location	Front	Front
Drum		
Capacity kg	2 x 9 kg	2 x 9 kg
Cylinder volume litres	198 Lt	198 Lt
Motor		
Motor size kW	0.25	0.25
Cabinet		
Cylinder finish	Galvanised	Galvanised
Colours	White	White
Door type (solid/window)	Window	Window
Heating		
Heat sources	Electric	Natural Gas, LPG optional
Heating element (Electric W)	4000	n/a
Connection		
Gas inlet connection mm	n/a	9.5mm
Gas consumption MJ/Hr	n/a	27 MJ
Exhaust outlet dia. mm	102mm	102mm
Exhaust airflow litres/sec	85	85
Operation		
Cycles	High, Medium, Low, Delicates, No Heat	High, Medium, Low, Delicates, No Heat
Cycle indicator lights	Digital display	Digital display
Power		
Electrical requirements (voltage/Hz/Ph)	240/50/1, 20 amp	240/50/1, 4 amp
Transport data		
Net weight kg	120 kg	125 kg
Shipping weight kg	127 kg	132 kg
Dimensions H×W×D mm	1986×683×711	1986×683×711
Packing dimensions H×W×D mm	2032×737×832	2032×737×832
Agency approvals		
Available agency approvals	SAA Electrical	Gas AGA #4945



Dimensions

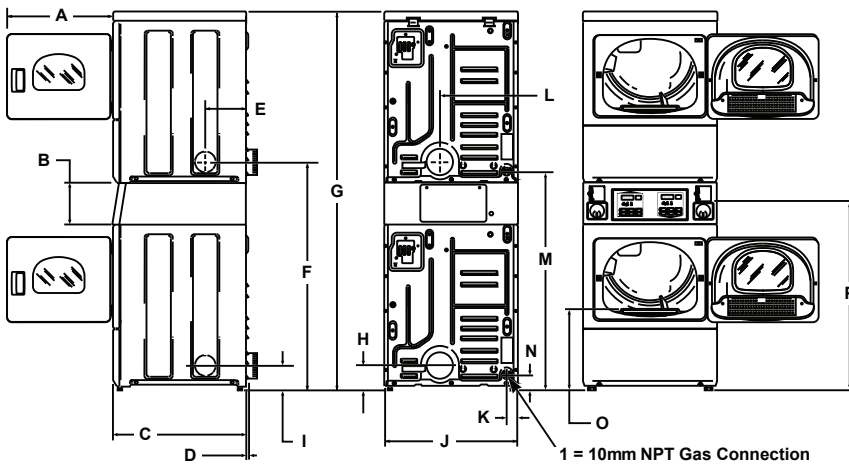
Stack Dryer/Dryer – electric

	A	B	C	D	E	F	G	H	I	J	K	L	M
SSENXA	597	213	711	11	203	1184	1986*	102*	114*	683	391	392*	994*



Stack Dryer/Dryer – gas

	A	B	C	D	E	F	G	H	I	J	K	L	M	N	O	P
SSGNXA	597	213	711	11	203	1184	1986*	102*	114*	683	60	391	1140*	70*	392*	994*



All measurements are in mm. *With levelling legs turned into base.

NOTE: Exhaust openings are 102 mm metal ducting. Gas models cannot be vented out left side of cabinet because of burner housing.





Speed Queen Equipment Sales Pty. Ltd.
26 Theobald Street, Thornbury, Vic 3071
Ph: (03) 9495 1300
Fax: (03) 9495 1600
W: www.speedqueensales.com.au
E: sales@speedqueensales.com.au
Servicing Victoria, Tasmania, S.A. & N.T.