



PROVEN PERFORMER

On-Premises Laundry

SWNMN1 (top loading washer),
SDE807 (electric dryer), **SDG809** (gas dryer)

Top loading washer features

- Designed for durability and ease of use with simple push to start switch and reinforced control knobs
- Extra large capacity stainless steel tub keeps clothes looking their best
- Advanced suspension system eliminates the possibility of an unbalanced load
- Commercial all metal transmission offers highest quality and durability

Dryer features

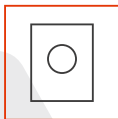
- Durable galvanized steel cylinder with an extra-large 198 litres of volume
- Efficient dryer heating with 27 MJ (gas models) and up to 4,000 Watts (electric models)
- Large, easy-to-clean lint compartment
- Reversible door
- 1913.8 sq. cm door opening is the largest in the industry, providing easy loading and unloading



EASY OPERATION



LARGE DOOR OPENING



ROBUST DESIGN



STAINLESS STEEL WASHER DRUM

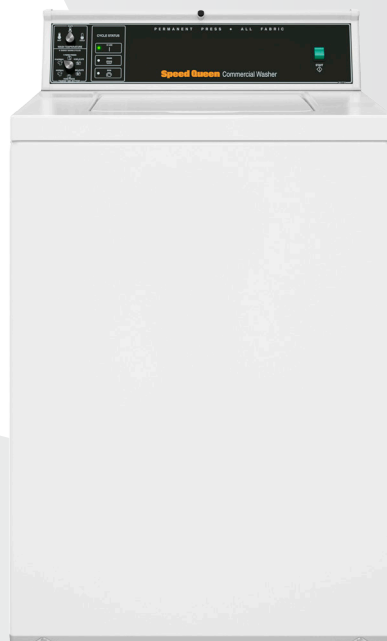
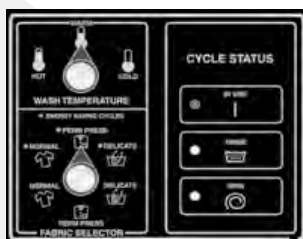
Controls

Top loading washer Push Button control

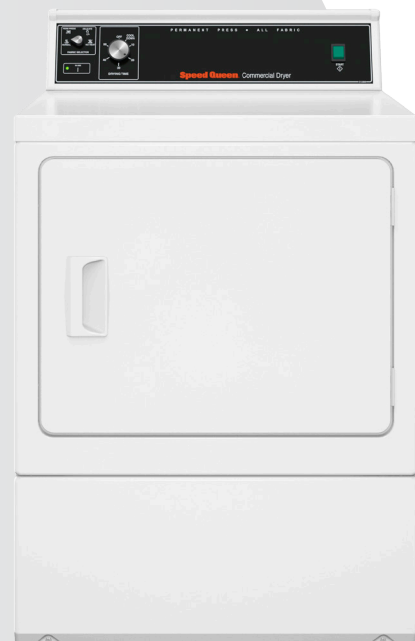
This control features a straightforward design that offers users simple water temperature and fabric selections.

Dryer Push Button control

This control features a straightforward design that offers users simple drying selections and uses cue lights to monitor progress through the drying cycle.



SWNMN1



SDE807, SDG809

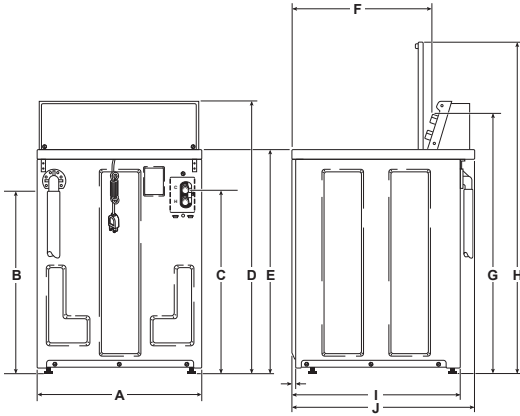
	SWNMN1	SDE807 (Electric) SDG809 (Gas)
Type	Top Loading Washer	Single Dryer
Control	Emech	Emech
Control location	Rear	Rear
Drum		
Capacity kg	8 kg	9 kg
Cylinder volume litres	92.3 Lt	198 Lt
Drum speed		
Spin speed G-Force	150	n/a
Spin speed rpm	710	n/a
Motor		
Motor size kW	0.37	0.25
Cabinet		
Cylinder finish	Stainless steel	Galvanized
Colours	White	White
Door type (solid/window)	n/a	Solid
Heating		
Heat sources	n/a	Electric or Natural Gas, LPG optional
Heating element (Electric W)	n/a	4000
Connection		
Gas inlet connection mm	n/a	9.5
Gas consumption MJ/Hr	n/a	27 MJ
Exhaust outlet dia. mm	n/a	102
Exhaust airflow litres/sec	n/a	85
Water temperatures	3	n/a
Operation		
Cycles	6	4
Water consumption per cycle litres	92.2	n/a
Water pressure kPa	140/830 kPa	n/a
Cycle indicator lights	Yes	Yes
Power		
Electrical requirements (voltage/Hz/Ph)	240/50/1, 6 amp	240/50/1, Electric 20 amp, Gas 4 amp
Transport data		
Net weight kg	82	Electric/Gas 59/61
Shipping weight kg	88	Electric/Gas 64/66
Dimensions H×W×D mm	1092×650×711	1092×683×711
Packing dimensions H×W×D mm	1124×699×762	1156×737×832
Agency approvals		
Available agency approvals	Electrical SAA	Electrical SAA, Gas AGA #4945



Dimensions

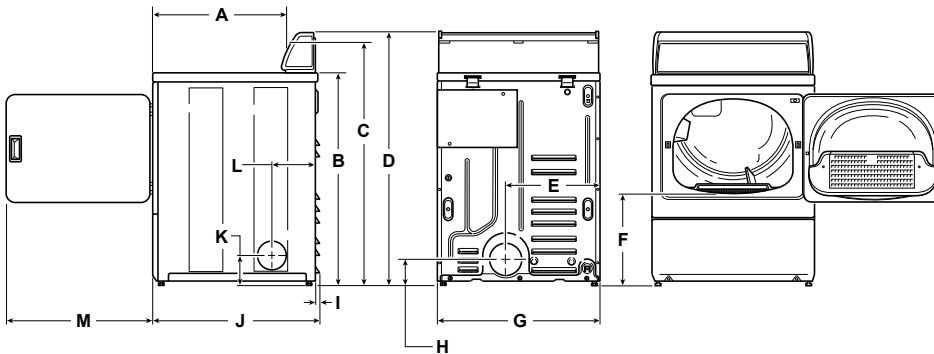
Top Loading Washer

	A	B	C	D	E	F	G	H	I	J
SWNMN1	651	745	730	1092	914	547	1025	1295	660	711



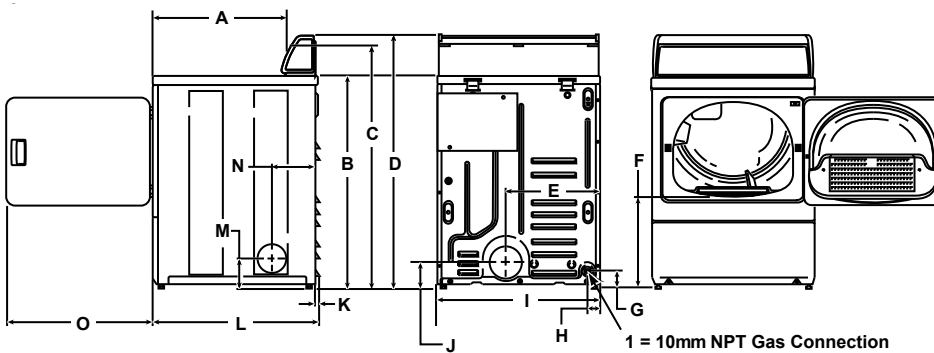
Electric Dryer

	A	B	C	D	E	F	G	H	I	J	K	L	M
SDE807	589	914*	1036*	1092*	391	392*	683	102	10	711	114*	203	597



Gas Dryer

	A	B	C	D	E	F	G	H	I	J	K	L	M	N	O
SDG809	589	914*	1036*	1092*	391	392*	70*	60	683	102*	10	711	114*	203	597



All measurements are in mm. *With levelling legs turned into base.

NOTE: Exhaust openings are 102 mm metal ducting.





Speed Queen Equipment Sales Pty. Ltd.
26 Theobald Street, Thornbury, Vic 3071
Ph: (03) 9495 1300
Fax: (03) 9495 1600
W: www.speedqueensales.com.au
E: sales@speedqueensales.com.au
Servicing Victoria, Tasmania, S.A. & N.T.