



PROVEN PERFORMER

On-Premises Softmount Washer-Extractors SYW180D, SYW240D, SYW280D

Features

- Freestanding, high spin
- Stainless steel top front panel, side panels
- Stainless steel drum and tub
- QED Select – 60 fully programmable cycles
- Patented 4 compartment soap hopper
- High capacity water inlets (SYW280D)
- Large drain valve (Ø76 mm)
- Easy access to all vital parts from the front
- Large door opening for easy loading and unloading
- Perforated lifting ribs: more mechanical action and lower water consumption
- Eco washing programs – significantly reduces water and electricity consumption
- Liquid detergent connection

Options

- USB plug and Network cable connection (on the back panel)
- Water recovery kit
- Steam heating version
- 3rd water inlet
- High capacity water inlets (SYW180D, SYW240D)
- Automatic weighing system by weighing cells to measure exact capacity of the linen
- Second drain valve for faster draining (SYW280D)
- QED Assist - Laundry management software
- 200mm plinth base for easy loading and OH&S compliance



EASY OPERATION



ERGONOMICAL CONSTRUCTION



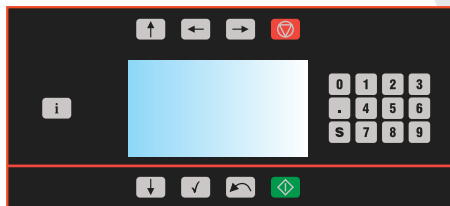
LARGE DOOR OPENING



LOW WATER CONSUMPTION



STAINLESS STEEL DRUMS



Control panel (QED Select)



SY180

	SYW180D	SYW240D	SYW280D
Innerdrum			
Capacity 10:1 kg	18	24	28
Capacity 9:1 kg	20	27	32
Volume litres	180	240	280
Diameter mm	750	750	750
Motor			
Frequency controlled	Yes	Yes	Yes
Drum speed			
Wash rpm	42	42	42
Extraction rpm	980	980	915
G-factor	400	400	350
Programmer			
Type of control	QED Select	QED Select	QED Select
Cabinet			
Stainless steel	Yes	Yes	Yes
Heating			
Electrical kW	12	18	22
Steam kPa	1,500-11,600 kPa	1,500-11,600 kPa	1,500-11,600 kPa
Connection			
Water inlet mm	19	19	19
Steam inlet mm	13	13	13
Compressed air inlet mm	n/a	n/a	n/a
Drain valve outer mm	76	76	76
Flow amount with drain valve l/min	210	210	210
Steam valve connection BSP	12mm	12mm	12mm
Steam pressure kPa	100 - 800	100 - 800	100 - 800
Power			
Electrical requirements (without heating element) V Hz	240/50/1	240/50/1	240/50/1
Full load amps (without heating element) A	14.2	15	16
Breaker (without heating element) A	20	20	20
Electrical requirements (with heating element) V Hz	3 x 415V +N 50Hz	3 x 415V +N 50Hz	3 x 415V +N 50Hz
Full load amps (with heating element) A	32	32	40.5
Breaker (with heating element) A	32	32	50
Heating element kW	12	18	22
Decibel Rating (wash / extract)	50 / 68 dBA	50 / 66 dBA	47 / 70 dBA
Transport data			
Gross weight kg	395	450	515
Net weight kg	380	430	495
Dimensions H×W×D mm	1410×970×970	1410×970×1105	1410×970×1185
Packaging dimension H×W×D mm	1550×1025×1015	1550×1025×1150	1550×1025×1225
Volume m ³	1.6	1.8	2.0



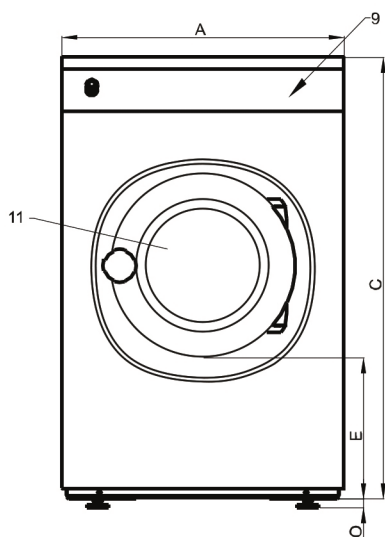
Dimensions

	A	B	C	D	E	F	G	H	I	J	K	L	M	N	O	P	Q	R	S
SYW180D	970	876	1410	970	477	270	108.5	1215	1297.5	113	218	293	610	1315	24	1320	490	80	90
SYW240D	970	1011	1410	1105	477	270	108.5	1215	1297.5	113	218	293	610	1315	24	1320	490	80	90
SYW280D	970	1086	1410	1185	477	270	108.5	1215	1305	113	218	293	610	1315	24	1320	490	80	90

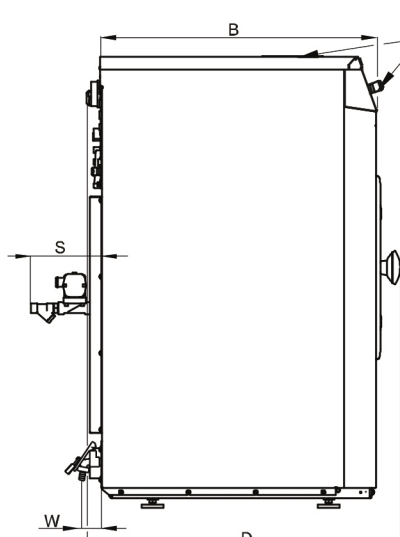
	T	U	V	W
SYW180D	203	-	67	48
SYW240D	203	-	67	48
SYW280D	203	274	67	48

All measurements are in mm.

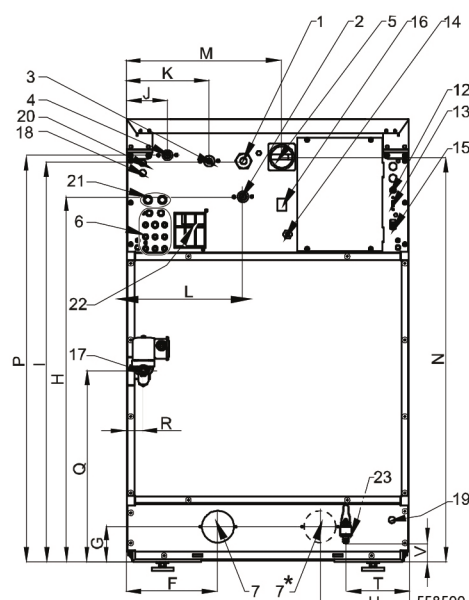
- 1 Electrical connection
- 2 Hot water
- 3 Cold water hard
- 4 Cold water soft
- 5 Main switch
- 6 Connection liquid soap
- 7 Drain: drain valve (pump), 1×ø76 mm
SY280 - drain valve or recycle valve, 1×ø76 mm (on request)
- 8 Soap dispenser
- 9 Control panel
- 10 Button CENTRALSTOP
- 11 Door opening: ø460 mm
- 12 Fuses
- 13 USB port
- 14 Electrical connection to liquid soap pumps
- 15 PC programming connection (RS485)
- 16 Heating change-over switch (electrical heating, steam heating)
- 17 Steam connection (steam version) 12mm
- 18 Steam valve connection (steam version)
- 19 Inlet of cable for discharge of water into the water recycle
- 20 Cable inlet - cable for control of the valve or pump of water from the water recycle
- 21 Inlet of water from the recycle (external diameter 19)
- 22 Air relieve



Front



Left side



Rear side





Speed Queen Equipment Sales Pty. Ltd.
26 Theobald Street, Thornbury, Vic 3071
Ph: (03) 9495 1300
Fax: (03) 9495 1600
W: www.speedqueensales.com.au
E: sales@speedqueensales.com.au
Servicing Victoria, Tasmania, S.A. & N.T.