



PROVEN PERFORMER

On-Premises Softmount Washer-Extractors SYW65D, SYW80D, SYW105D, SYW135D

Features

- Freestanding, high spin (up to 1165 RPM – SYW65D, SYW80D)
- Stainless steel top front panel, side panels
- Stainless steel drum and tub
- QED Select – 60 fully programmable cycles
- Patented 4 compartment soap hopper
- Large drain valve (Ø76 mm)
- Easy access to all vital parts from the front
- Large door opening for easy loading and unloading
- Perforated lifting ribs: more mechanical action and lower water consumption
- Eco washing programs – significantly reduces water and electricity consumption
- Liquid detergent connection

Options

- USB plug and Network cable connection (on the back panel)
- Water recovery kit
- Steam heating version
- Drain pump (SYW65D, SYW80D)
- 3rd water inlet
- QED Assist - Laundry management software
- 200mm plinth base for easy loading and OH&S compliance



EASY OPERATION



ERGONOMICAL CONSTRUCTION



LARGE DOOR OPENING



LOW WATER CONSUMPTION



STAINLESS STEEL DRUMS



Control panel (QED Select)



SY65

	SYW65D	SYW80D	SYW105D	SYW135D
Innerdrum				
Capacity 10:1 kg	6.5	8	11	14
Capacity 9:1 kg	7	9	12	15
Volume litres	65	75	105	135
Diameter mm	530	530	620	620
Motor				
Frequency controlled	Yes	Yes	Yes	Yes
Drum speed				
Wash r/pm	49	49	49	49
Extraction r/pm	1165	1165	1075	1075
G-factor	400	400	400	400
Programmer				
Type of control	QED Select	QED Select	QED Select	QED Select
Cabinet				
Stainless steel	Yes	Yes	Yes	Yes
Heating				
Electrical kW	6	6	9	12
Steam kPa	1,500-11,600 kPa	1,500-11,600 kPa	1,500-11,600 kPa	1,500-11,600 kPa
Connection				
Water inlet mm	19	19	19	19
Steam inlet mm	13	13	13	13
Compressed air inlet mm	n/a	n/a	n/a	n/a
Drain valve outer mm	76	76	76	76
Flow amount with drain valve l/min	210	210	210	210
Steam valve connection BSP	19mm	19mm	19mm	19mm
Steam pressure k-Pa	100 - 800	100 - 800	100 - 800	100 - 800
Power				
Electrical requirements (without heating element) V Hz	240/50/1	240/50/1	240/50/1	240/50/1
Full load amps (without heating element) A	6.6	6.7	9.8	10.1
Breaker (without heating element) A	10	10	16	16
Electrical requirements (with heating element) V Hz	3 x 415V + N 50Hz	3 x 415V + N 50Hz	3 x 415V + N 50Hz	3 x 415V + N 50Hz
Full load amps (with heating element) A	18 amps	18 amps	18 amps	23 amps
Breaker (with heating element) A	20 amps	20 amps	20 amps	25 amps
Heating element kW	6	6	9	12
Decibel Rating (Wash / Extract)	46 / 59 dBA	52 / 63 dBA	52 / 66 dBA	50 / 65 dBA
Transport data				
Gross weight kg	180	200	235	275
Net weight kg	170	185	210	255
Dimensions H×W×D mm	1115×710×740	1115×710×790	1225×795×795	1225×795×945
Packaging dimension H×W×D mm	1245×750×840	1245×750×840	1345×835×840	1345×835×985
Volume m ³	0.8	0.8	0.9	1.1



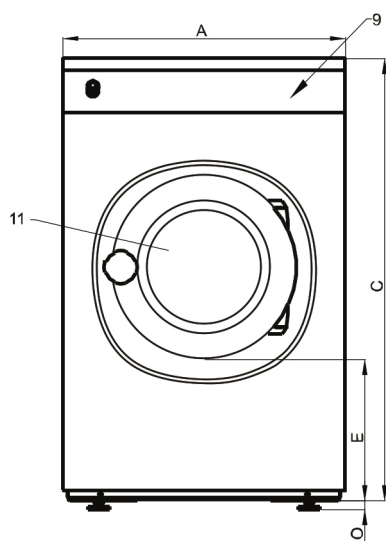
Dimensions

	A	B	C	D	E	F	G	H	I	J	K	L	M	N	O	P	Q	R	S
SYW65D	710	646	1115	740	349	230	82	914	1004	113	218	293	390	1020	24	1019	480	42	180
SYW80D	710	696	1115	790	349	230	88	920	1010	113	218	293	390	1020	24	1025	480	42	180
SYW105D	795	696	1225	795	342	230	88	1030	1120	113	218	293	475	1130	24	1135	506	42	180
SYW135D	795	846	1225	945	342	230	88	1030	1120	113	218	293	475	1130	24	1135	506	42	180

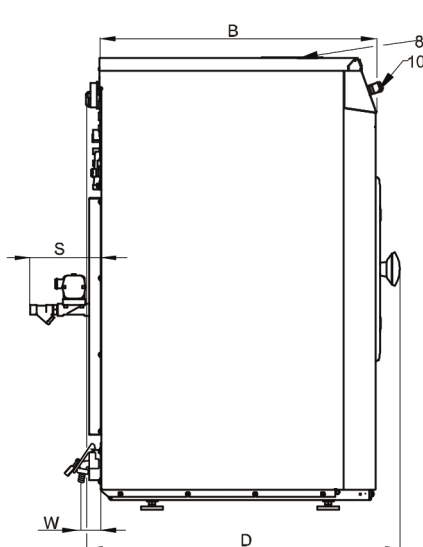
	T	U	V	W
SYW65D	203	-	67	48
SYW80D	203	-	67	48
SYW105D	203	274	67	48
SYW135D	203	274	67	48

All measurements are in mm.

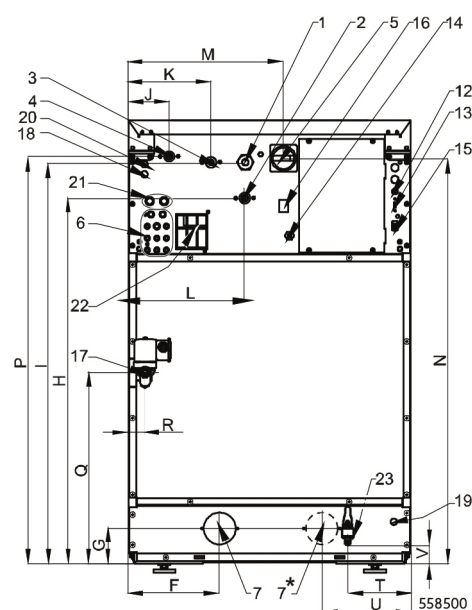
- 1 Electrical connection
- 2 Hot water
- 3 Cold water hard
- 4 Cold water soft
- 5 Main switch
- 6 Connection liquid soap
- 7 Drain: drain valve (pump), 1 × \varnothing 76 mm
SY280 - drain valve or recycle valve, 1 × \varnothing 76 mm (on request)
- 8 Soap dispenser
- 9 Control panel
- 10 Button CENTRALSTOP
- 11 Door opening:
SY65 and SY80 - \varnothing 330
SY105 and SY135 - \varnothing 410
- 12 Fuses
- 13 USB port
- 14 Electrical connection to liquid soap pumps
- 15 PC programming connection (RS485)
- 16 Heating change-over switch (electrical heating, steam heating)
- 17 Steam connection (steam version) 12mm
- 18 Steam valve connection (steam version)
- 19 Inlet of cable for discharge of water into the water recycle
- 20 Cable inlet - cable for control of the valve or pump of water from the water recycle
- 21 Inlet of water from the recycle (external diameter 19)
- 22 Air relieve



Front



Left side



Rear side





Speed Queen Equipment Sales Pty. Ltd.
26 Theobald Street, Thornbury, Vic 3071
Ph: (03) 9495 1300
Fax: (03) 9495 1600
W: www.speedqueensales.com.au
E: sales@speedqueensales.com.au
Servicing Victoria, Tasmania, S.A. & N.T.